

For Acrobat 7 or later users, please fill out the form below and click the Submit button to send to our sales department.  
Or, print this form out and mail, call or fax us at the address and phone numbers indicated below.

## ORIENTATION

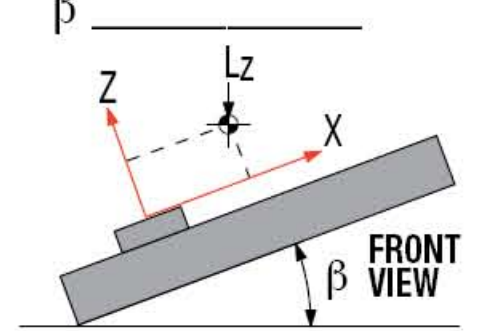
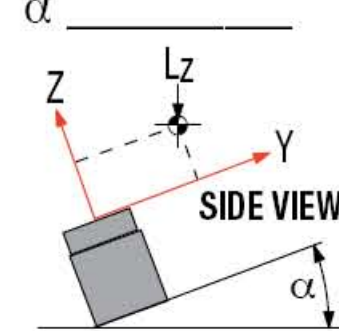
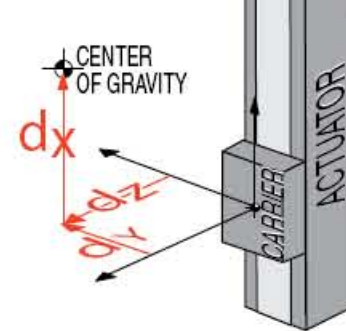
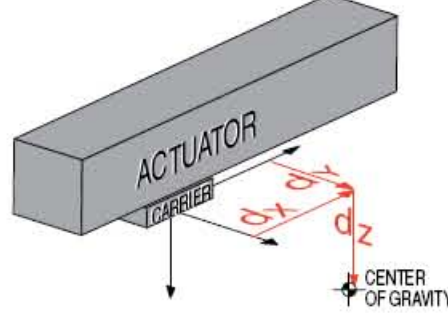
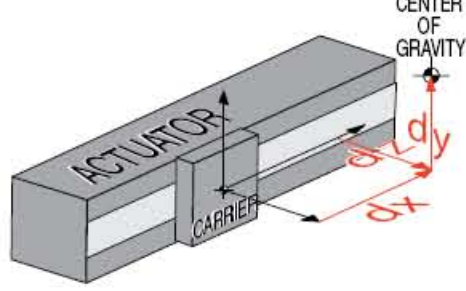
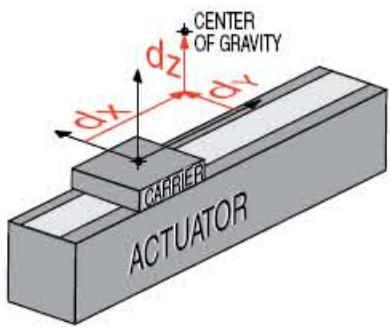
Horizontal

Side

Horizontal Down

Vertical

Angled °



Load attached to carrier OR  Load supported by other mechanism

## DISTANCE FROM CENTER OF CARRIER TO LOAD CENTER OF GRAVITY

$d_x$  \_\_\_\_\_  
 $d_y$  \_\_\_\_\_  
 $d_z$  \_\_\_\_\_

inch  
(U.S. Standard)

mm  
(Metric)

## STROKE LENGTH

inch (S K)  
(U.S. Standard)

millimeters (S M)  
(Metric)

**NOTE:** If load or force on carrier changes during cycle use the highest numbers for calculations

## LOAD

lb.  
(U.S. Standard)

kg.  
(Metric)

## MOVE PROFILE

Move Distance \_\_\_\_\_

inch

millimeters

Dwell Time After Move \_\_\_\_\_

Max. Speed \_\_\_\_\_

in/sec

mm/sec

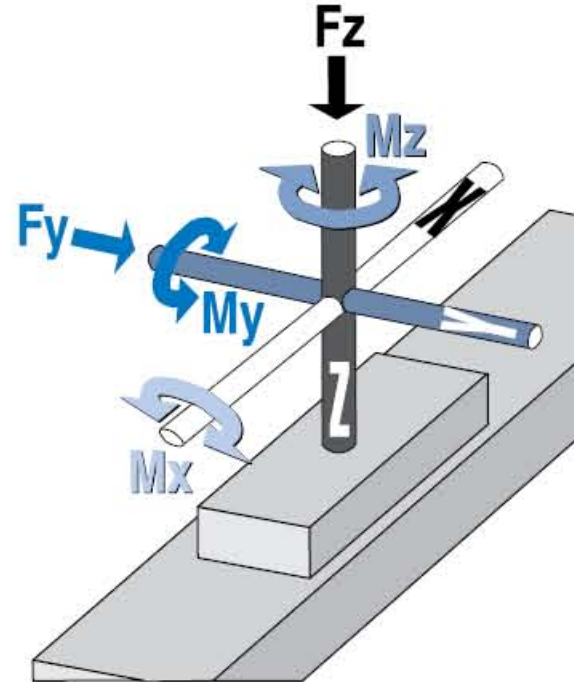
## MOVE TIME

sec

## NO. OF CYCLES

per minute

per hour



## FORCES APPLIED TO CARRIER

lbf.

(U.S. Standard)

N

(Metric)

$F_z$  \_\_\_\_\_  
 $F_y$  \_\_\_\_\_

## BENDING MOMENTS APPLIED TO CARRIER

in.-lbs.  
(U.S. Standard)

N-m  
(Metric)

$M_x$  \_\_\_\_\_  
 $M_y$  \_\_\_\_\_  
 $M_z$  \_\_\_\_\_

## PRECISION

Repeatability \_\_\_\_\_

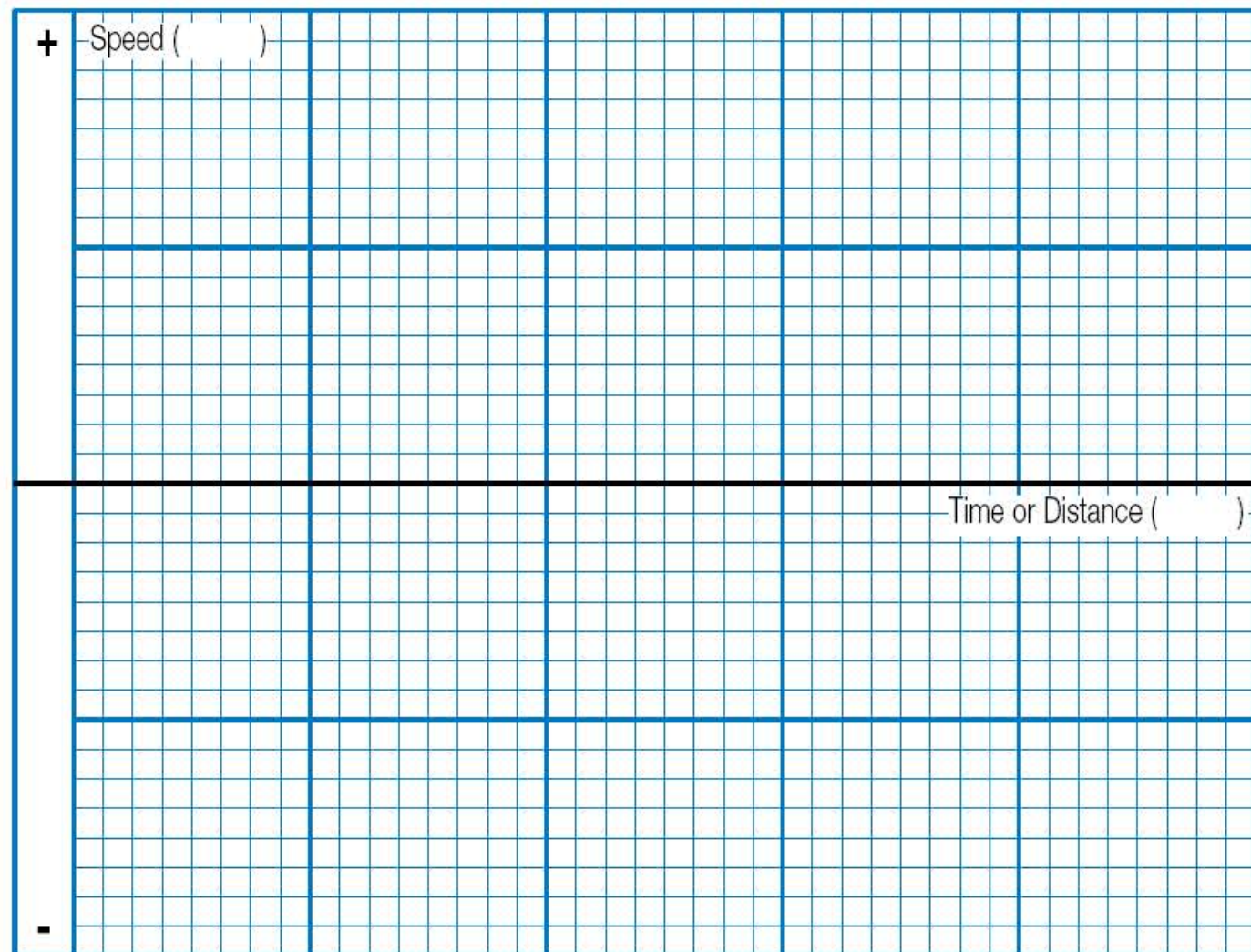
inch

millimeters

## OPERATING ENVIRONMENT

Temperature, Contamination, etc.

## MOTION PROFILE



Graph your most demanding cycle, including accel/decel, velocity and dwell times. You may also want to indicate load variations and I/O changes during the cycle. Label axes with proper scale and units.

NAME: \_\_\_\_\_

COMPANY: \_\_\_\_\_

PHONE: \_\_\_\_\_

EMAIL: \_\_\_\_\_