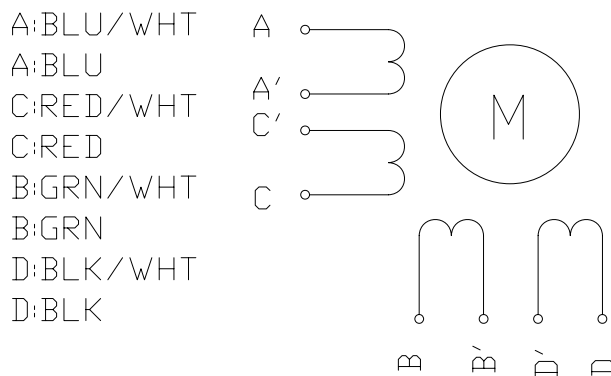


specifications:

| PHASE | STEP ANGLE | RATED VOLTAGE | CURRENT /PHASE | RESISTANCE /PHASE | INDUCTANCE /PHASE | HOLDING TORQUE | ROTOR INERTIA | WEIGHT |
|------------|------------|---------------|----------------|-------------------|-------------------|----------------|------------------|--------|
| | DEG/STEP | V | A | ohms | mH | kgf-cm | gcm ² | Kg |
| unipolar | 1.8 | 2.2 | 3.0 | 0.74 | 0.9 | 7.2 | 275 | 0.65 |
| bipolar(s) | 1.8 | 3.1 | 2.1 | 1.48 | 3.6 | 10.1 | 275 | 0.65 |
| bipolar(p) | 1.8 | 1.55 | 4.2 | 0.37 | 0.9 | 10.1 | 275 | 0.65 |

Wiring Diagram:

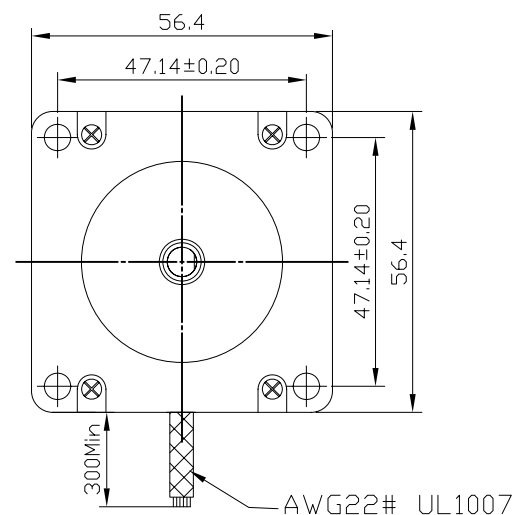
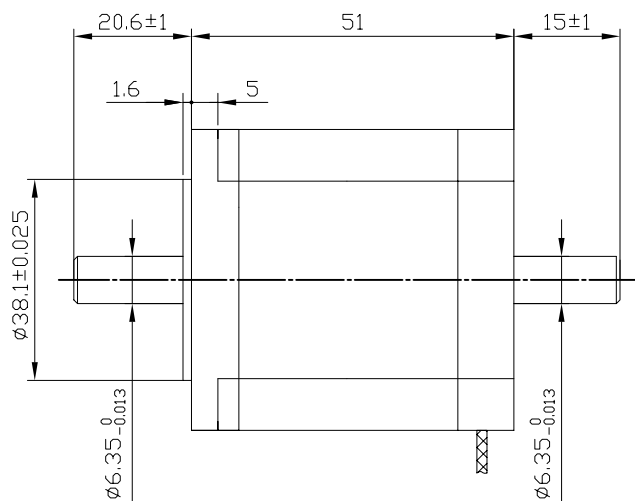


Rotation:

| CW DIRECTION | STEP | A C' | C A' | B D' | D B' |
|--------------|------|------|------|------|------|
| ↓ | 1 | + | | + | |
| | 2 | | + | + | |
| | 3 | | + | | + |
| | 4 | + | | | + |
| | 1 | + | | + | |

CW direction, see from the shaft end

Dimension:



| | | |
|----------------------------------------|---------|------------------------|
| DESIGN | DATE | P/N. |
| REV | ECN NO. | DESCRIPTION |
| DRN | APP'D | DATE |
| UNLESS OTHERWISE SPECIFIED TOLERANCES: | | MATERIAL |
| DECIMALS: .x ±0.5 | | THIRD ANGLE PROJECTION |
| ANGULAR: .xx ±0.25 | | |
| .xxx ±0.1 | | SCALE |
| UNIT: mm | | SHEET |
| DO NOT SCALE DRAWING | | OF |
| TITLE | | REV |
| Specifications | | |
| USED ON | | |
| FL57STH51-3008B | | |
| DWG NO. FX3.162. | | SS |
| MCP Ltd | | |