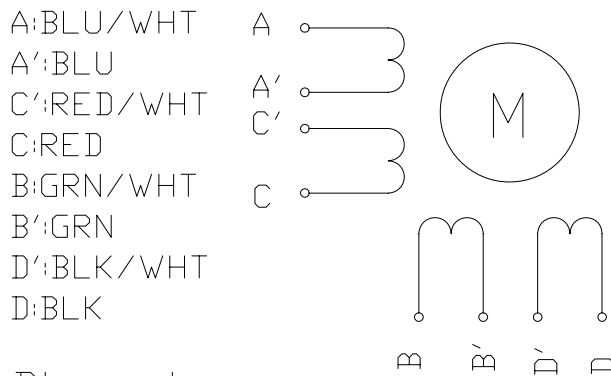


specifications:

PHASE	STEP ANGLE	RATED VOLTAGE	CURRENT /PHASE	RESISTANCE /PHASE	INDUCTANCE /PHASE	HOLDING TORQUE	ROTOR INERTIA	WEIGHT
	DEG/STEP	V	A	ohms	mH	kgf-cm	gcm ²	Kg
unipolar	1.8	3.6	2.0	1.8	2.5	0.88	300	0.7
bipolar(s)	1.8	5.04	1.4	3.6	10	1.24	300	0.7
bipolar(p)	1.8	2.52	2.8	0.9	2.5	1.24	300	0.7

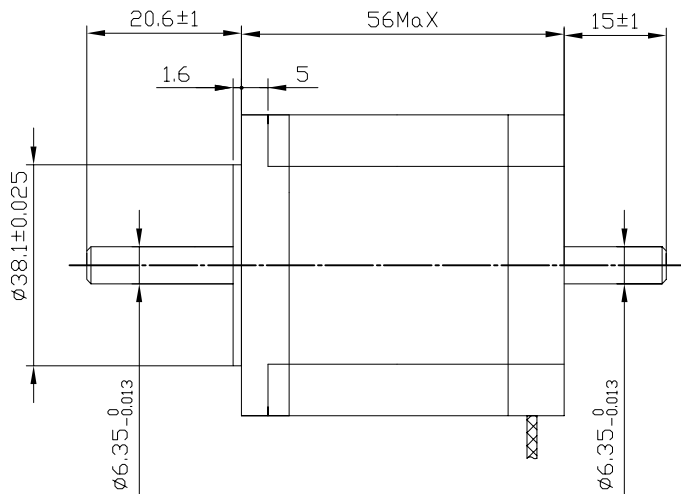
Wiring Diagram:



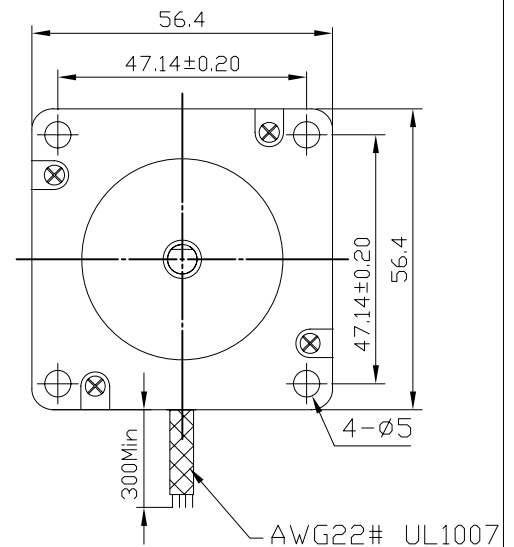
Rotation:

CW DIRECTION	STEP	A C'	C A'	B D'	D B'
↓	1	+		+	
	2		+	+	
	3		+		+
	4	+			+
	1	+		+	

Dimension:



CW direction, see from the shaft end



REV	ECN NO.	DESCRIPTION	DRN	APP'D	DATE	DESIGN	DATE	P/N.
UNLESS OTHERWISE SPECIFIED TOLERANCES: DECIMALS: .x ±0.5 .xx ±0.25 .xxx ±0.1 UNIT: mm DO NOT SCALE DRAWING						CHECK		TITLE Specifications USED ON FL57STH56-2008B DWG NO. FX3.162. SS REV
						APPD		
MATERIAL THIRD ANGLE PROJECTION						Motion Control Products Ltd		