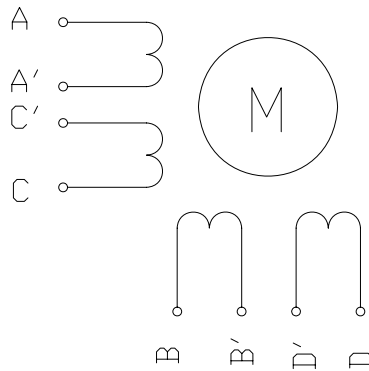


specifications:

PHASE	STEP ANGLE	RATED VOLTAGE	CURRENT /PHASE	RESISTANCE /PHASE	INDUCTANCE /PHASE	HOLDING TORQUE	ROTOR INERTIA	WEIGHT
	DEG/STEP	V	A	ohms	mH	Nm	gcm ²	Kg
unipolar	1.8	2.8	2.8	1.0	1.6	1.37	480	1.0
bipolar(s)	1.8	4.0	2.0	2.0	6.4	1.853	480	1.0
bipolar(p)	1.8	2.0	4.0	0.5	1.6	1.853	480	1.0

Wiring Diagram:

A:BLU/WHT
 A:BLU
 C:RED/WHT
 C:RED
 B:GRN/WHT
 B:GRN
 D:BLK/WHT
 D:BLK

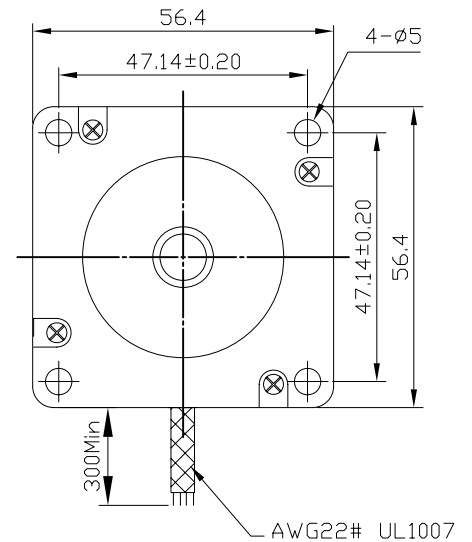
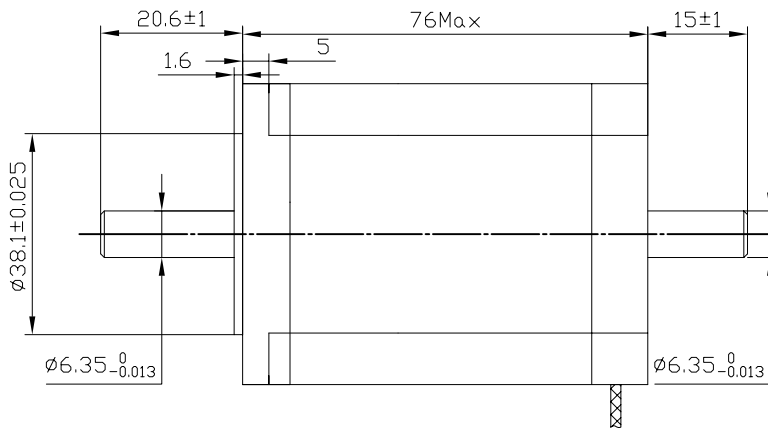


Rotation:

CW DIRECTION	STEP	A C'	C A'	B D'	D B'
↓	1	+		+	
	2		+	+	
	3		+		+
	4	+			+
	1	+		+	

CW direction, see from the shaft end

Dimension:



DESIGN	DATE	P/N.
REV	ECN NO.	DESCRIPTION
DRN	APP'D	DATE
UNLESS OTHERWISE SPECIFIED TOLERANCES:		MATERIAL
DECIMALS: .x ±0.5		THIRD ANGLE PROJECTION
ANGULAR: .xx ±0.25		
.xxx ±0.1		SCALE
UNIT: mm		SHEET
DO NOT SCALE DRAWING		OF
TITLE		REV
Specifications		SS
USED ON		
FL57STH76-2808B		
DWG NO. FX3.162.		
MCP Ltd		