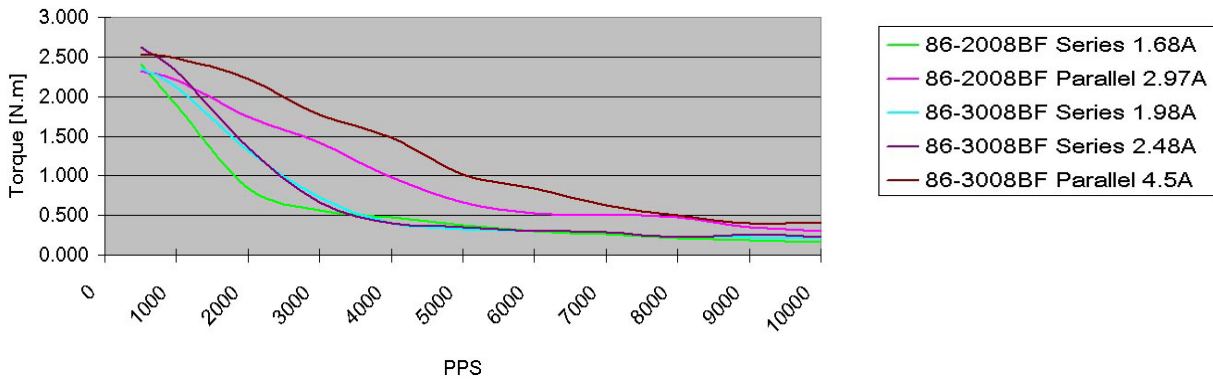


# FL60STH86

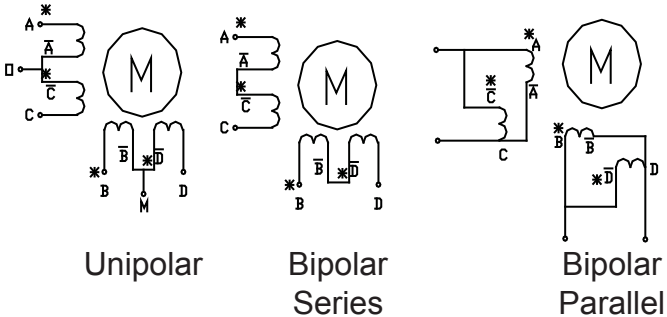
## High Torque Size 23 - 1.8 degree Hybrid Stepper motor

Part No.	Connection Type	Phase	Degree	Voltage V	Current A	Resistance Ohm	Inductance mH	Holding Torque Nm	Rotor Inertia g.cm <sup>2</sup>	Weight KG
FL60STH86-2008BF	Unipolar	4	1.8	6	2	3	6.8	2.15	840	1.4
	Bipolar (S)	2		8.4	1.4	6	27.2	3		
	Bipolar (P)	2		4.17	2.8	1.5	6.8	3		
FL60STH86-3008BF	Unipolar	4		3.9	3	1.3	3.2	2.15		
	Bipolar (S)	2		5.46	2.1	2.6	12.8	3		
	Bipolar (P)	2		2.73	4.2	0.65	3.2	3		

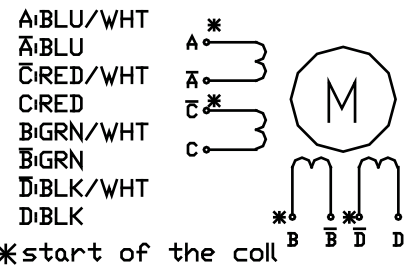
### Torque Curves:



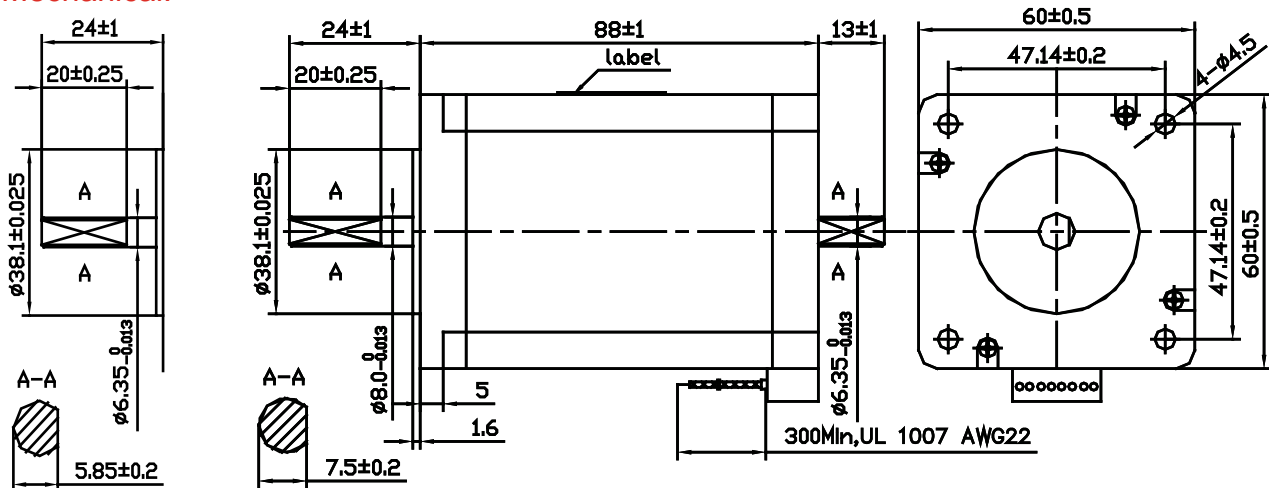
### Wiring configurations:



### Colour Codes:



### Mechanical:



FL60STH86-2008BF Shaft

### Motion Control Products Ltd

11-15 Francis Avenue - Bournemouth - Dorset - BH11 8NX - United Kingdom

Phone: +44 (0)1202 599922 - Fax: +44 (0)1202 599955

Web: <http://www.motioncontrolproducts.com> - Email: [enquiries@motioncontrolproducts.com](mailto:enquiries@motioncontrolproducts.com)