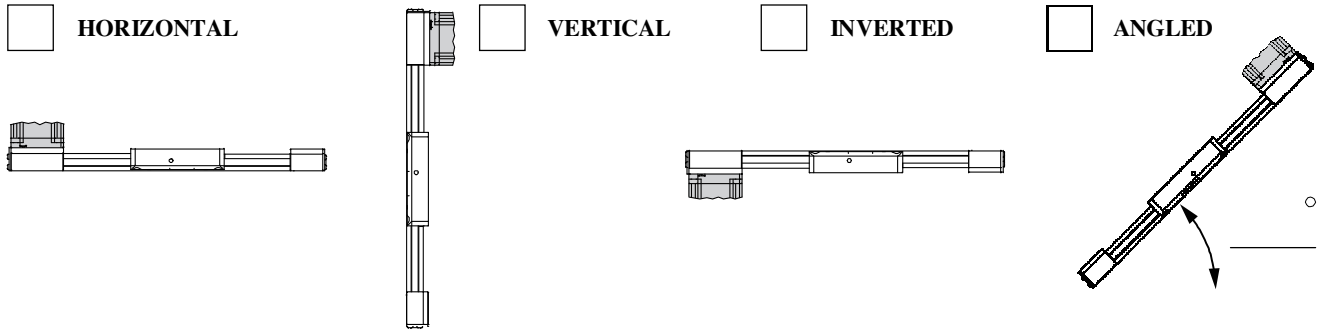
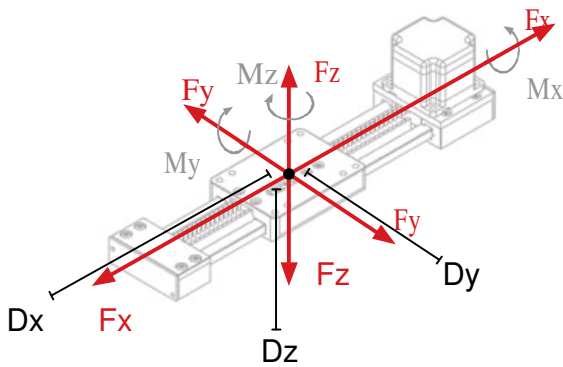


Application Data Sheet Simo Series

ACTUATOR ORIENTATION



LOAD & LOAD LOCATION



Load Applied

lbs N
 F_{xa} _____
 F_{ya} _____
 F_{za} _____

Moment Applied

in-lbs N-m
 M_{xa} _____
 M_{ya} _____
 M_{za} _____

Distance to Center of Gravity of Load

in mm
 D_x _____
 D_y _____
 D_z _____

MOTION PROFILE

Stroke Distance _____
 in mm
 Move Time _____ (seconds)
 Dwell time _____ (seconds)
 Number of Cycles _____
 per min per hour

ENVIRONMENT

- Clean Room General Shop
- Heavy Industrial Food/ Washdown
- High Vibration Other: _____

BI-DIRECTIONAL REPEATABILITY

- > ± 0.127 mm < ± 0.127 mm (Belt)
- < ± 0.1 mm (Lead Screw)
- < ± 0.02 mm (Anti-Backlash Lead Screw Nut)
- Other: _____

GENERAL APPLICATION DESCRIPTION

Date: _____

Name: _____

Company: _____

Company Website: _____

Phone: _____

Email: _____

FAX TO: (+44) 01202 599955

EMAIL TO: enquiries@motioncontrolproducts.com