



ADR220 Series

Iron-Core Torque Motor (DDR)

Datasheet

Version 1.0



ADR220 Series

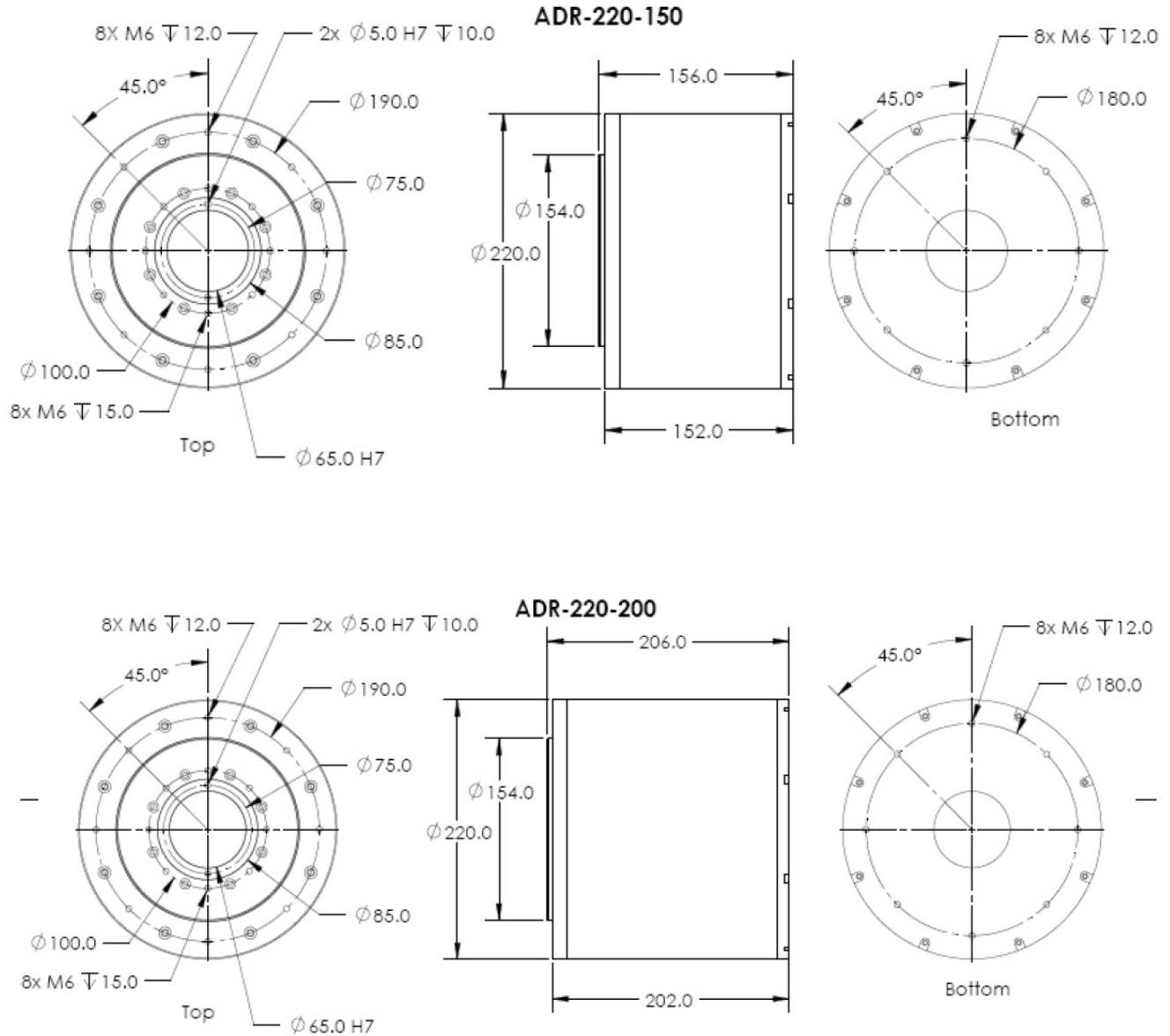
- Direct drive, brushless motor fully integrated with encoder and bearing
- Encoder options of 216,000 counts/rev, 2,160,000 counts/rev or SINCOS
- Precise homing through index pulse
- Diameter 65 mm center through hole

Specifications

Model	Units	ADR62-55	ACD62-84
Table diameter	mm	220	220
Table height	mm	156	206
Continuous torque	Nm	34.02	67.91
Peak torque	Nm	102.06	203.72
Torque constant (Star connection)	Nm/A	2.52	5.03
Back EMF constant	V/rpm	0.26	0.53
Continuous current	A	13.50	13.50
Peak current	A	40.50	40.50
Resistance	ohms	0.62	1.04
Rotor inertia	Kgm ²	0.0206	0.0338
Encoder resolution	Counts/rev	216,000; 2,160,000; SINCOS	
Radial runout	um	12.0	12.0
Axial runout	um	12.0	12.0
Static permissible radial load	kN	100.0	100.0
Static permissible axial load	kN	227.3	227.3
Mechanical allowable speed	RPM	538	538
Rec. max speed @ 150 VDC	RPM	473	205
Rec. max speed @ 115 VAC	RPM	519	228
Rec. max speed @ 230 VAC	RPM	538	537
Weight	Kg	17.9	24.5

* SINCOS – 22,118,400 counts with interpolation of 4096.

Dimensions (mm)



Part Number Break-down

	Model	Encoder Resolution (counts)
ADR220-	150, 200	10X; 100X; SINCOS

Example

ACD220-150-SINCOS