

# MC Series

*MECAPION Clean Robots*



# MC Series

## MECAPION Clean Robots

### Character

- With strong aluminum box type extrusion construction, light and strong
- With vacuum adsorption type (Option) protect scatter and exhaust corpuscle.
- Realize high clean class almost 10.
- Simple construction and easy application.
- By using AC servo motor, easy maintenance, high confidence, easy control
- Realize high speed, high precision operation by optimum control. Repeat precision  $\pm 0.02\text{mm}$ .
- Various application for example semiconductor inspection M/C, LED production line, Sealing, Screw etc.
- High rust protection, clean and beautiful face
- Reliable products checked by 3-Dimension measuring machine

### MC Selection Guide

-  -   -

①      ②      ③      ④      ⑤      ⑥      ⑦



① **Model Name**

<input type="text" value="MC"/>	<input type="text" value="Mecapion Clean Robot"/>
---------------------------------	---

⑤ **Stroke**

<input type="text" value="0100"/>	<input type="text" value="Stroke : 100mm~"/>
<input type="text" value="Max"/>	<input type="text" value="Stroke : 1000mm"/>


② **Body Size**

<input type="text" value="160"/>	<input type="text" value="Body Width : 160 mm"/>
----------------------------------	--

⑥ **Sensor**

<input type="text" value="N"/>	<input type="text" value="Inside Sensor"/>
<input type="text" value="X"/>	<input type="text" value="No Sensor"/>

※ Applied Sensor  
1) Inside Sensor



Lead Switch



③ **Motor Capacity**

<input type="text" value="40"/>	<input type="text" value="Motor : 400W"/>
<input type="text" value="70"/>	<input type="text" value="Motor : 750W"/>

④ **Slide Table Type**

<input type="text" value="S"/>	<input type="text" value="Standard"/>
<input type="text" value="C"/>	<input type="text" value="Stainless Steel Cover"/>

※ Table Type

<input type="text" value="Standard"/> 	<input type="text" value="Stainless Steel Cover"/> 
--	---

⑦ **Ball Screw Lead**

<input type="text" value="10"/>	<input type="text" value="Lead : 10mm"/>
	-> Max.Speed : 500mm/sec
<input type="text" value="20"/>	<input type="text" value="Lead : 20mm"/>
	-> Max.Speed : 1000mm/sec

## Specifications

Model		MC 160-S, C	
Base Width	mm	160	
Rated Output	W	400	750
Payload	kgf	Horizontal : 80 (45)	Horizontal : 100 (70)
Max. Speed	mm/sec	500 (1000)	
Servo Motor	AC (W)	400W, 3000 rpm	750W, 3000 rpm
Stroke	mm	200 ~ 1200	
Repeatability	mm	± 0.02	
LM Guide	-	Two Way 20W, 2UU	
Ball Screw	-	Ø15 (Ø20), Lead 10mm (20mm), C7	
Body	-	Aluminum Profile, White Anodizing	

■ ( ) : Set max speed as 1000mm/sec

Weight		Tolerance : 100g								
Model	Unit	Stroke	100	200	300	400	500	600	700	Offset (100mm)
MC 160-S-40	Kg		15.2	16.9	18.6	20.3	22	23.7	25.4	1.7
MC 160-S-4B, 70			16	17.7	19.4	21.1	22.8	24.5	26.2	
MC 160-S-7B			17.5	19.2	20.9	22.6	24.3	26	27.7	
MC 160-C-40			15.5	17.2	18.9	20.6	22.3	24	25.7	
MC 160-C-4B			16.3	18	19.7	21.4	23.1	24.8	26.5	

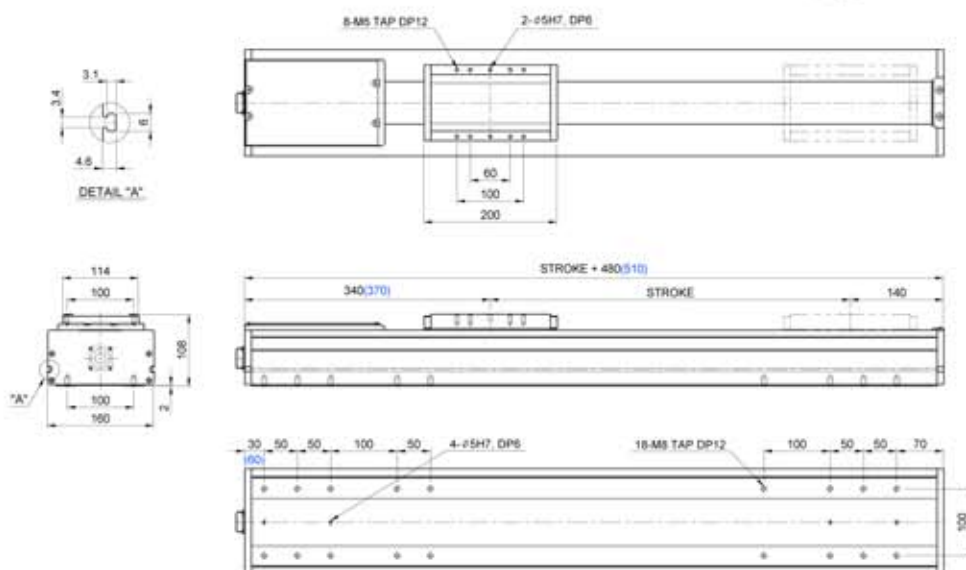
► We customize products what user wants. (Servo Motor, Raydent, Body Harness)

## Dimensions

■ Dimension in "mm"

### MC 160 - □□ - S

■ ( ) : 400W Brake Motor Dimension

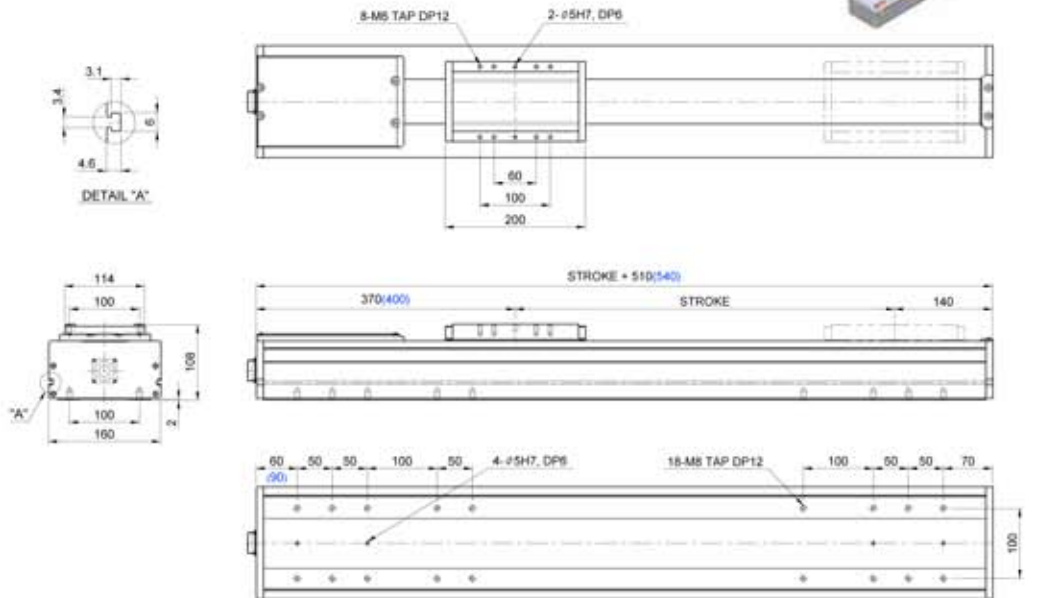


## Dimensions

■ Dimension in "mm"

### MC 160 - □□ - S

■ ( ) : 750W Brake Motor Dimension



### MC 160 - □□ - C

■ ( ) : 400W Brake Motor Dimension

