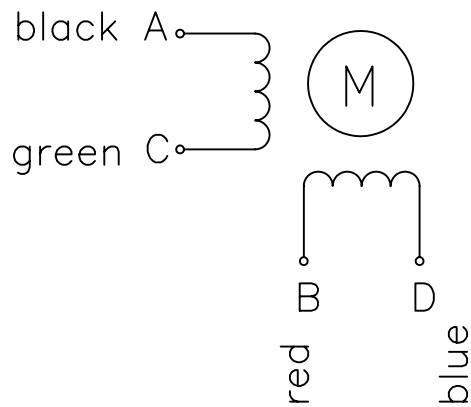


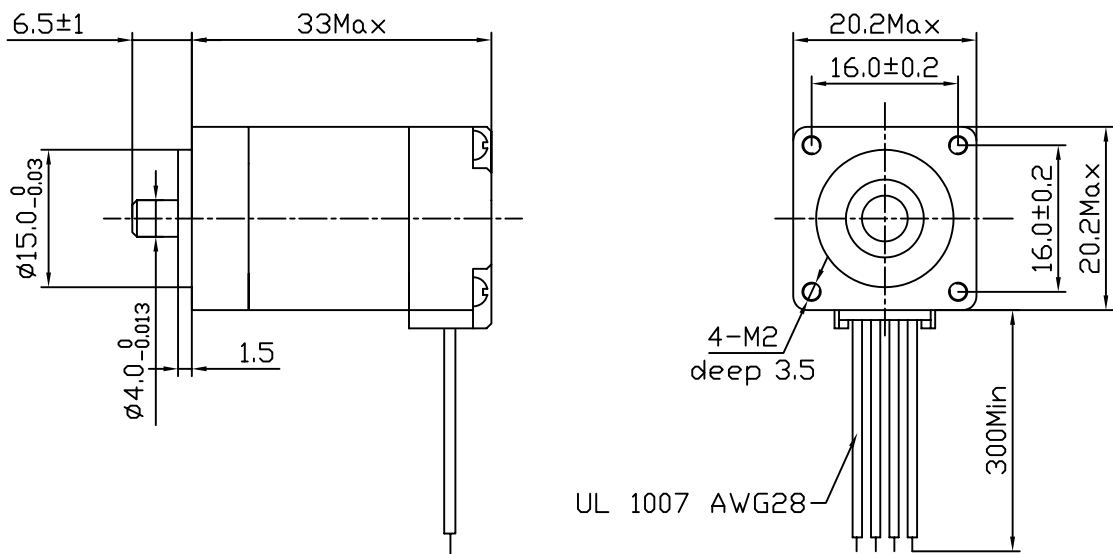
HIGH TORQUE HYBRID STEPPING MOTOR SPECIFICATIONS

General specifications		Electrical specifications	
Step Angle	1.8Deg±5%	Rated Voltage	3.9V
Number of phase	2	Rate Current	0.6A
Insulation resistance	100Mohm Min.(500V DC)	Resistance per phase	6.5±10%ohm
Insulation class	Class B	Inductance per phase	1.7±20% mH
Rotor inertia	2.0 g.cm ²	Holding torque	180g.cm
Weight	0.06kg	Detent torque	g.cm

Wiring Diagram



Dimension:

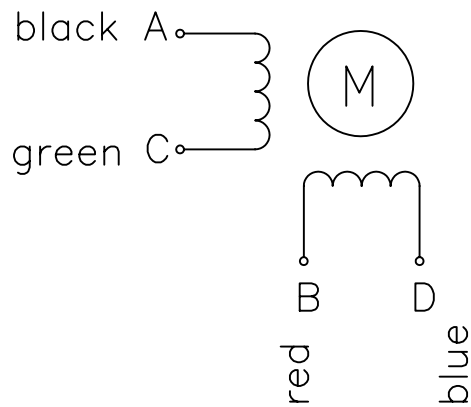


REV	QTY	NO.	SIG.	DT.	TITLE: FL20STH33-0604A SPECIFICATION	FX3.162. SS
DESIGN						
CHECK						
APPROVE						
						MOTION CONTROL

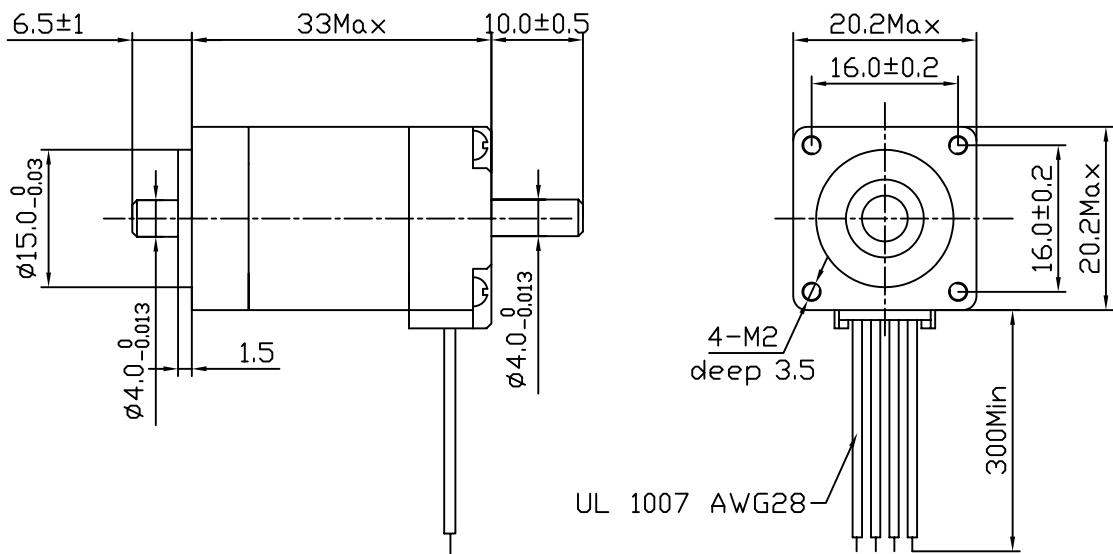
HIGH TORQUE HYBRID STEPPING MOTOR SPECIFICATIONS

General specifications		Electrical specifications	
Step Angle	1.8Deg±5%	Rated Voltage	3.9V
Number of phase	2	Rate Current	0.6A
Insulation resistance	100Mohm Min.(500V DC)	Resistance per phase	6.5±10%ohm
Insulation class	Class B	Inductance per phase	1.7±20% mH
Rotor inertia	2.0 g.cm ²	Holding torque	180g.cm
Weight	0.06kg	Detent torque	g.cm

Wiring Diagram



Dimension:



REV	QTY	NO.	SIG.	DT.
DESIGN				
CHECK				
APPROVE				

TITLE:

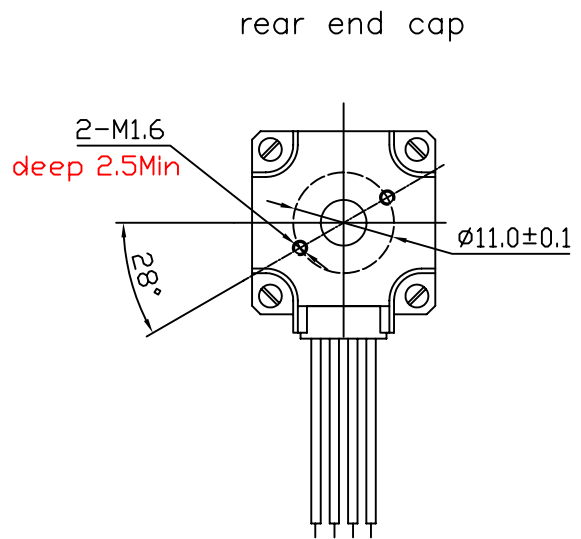
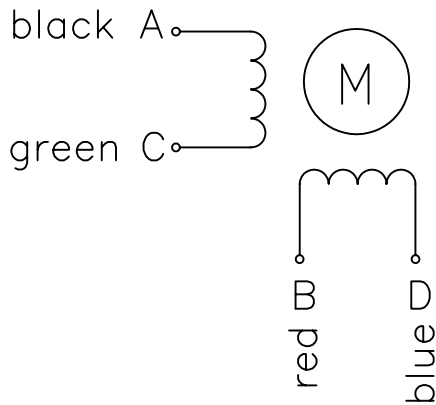
**FL20STH33-0604B
SPECIFICATION**

MOTION CONTROL

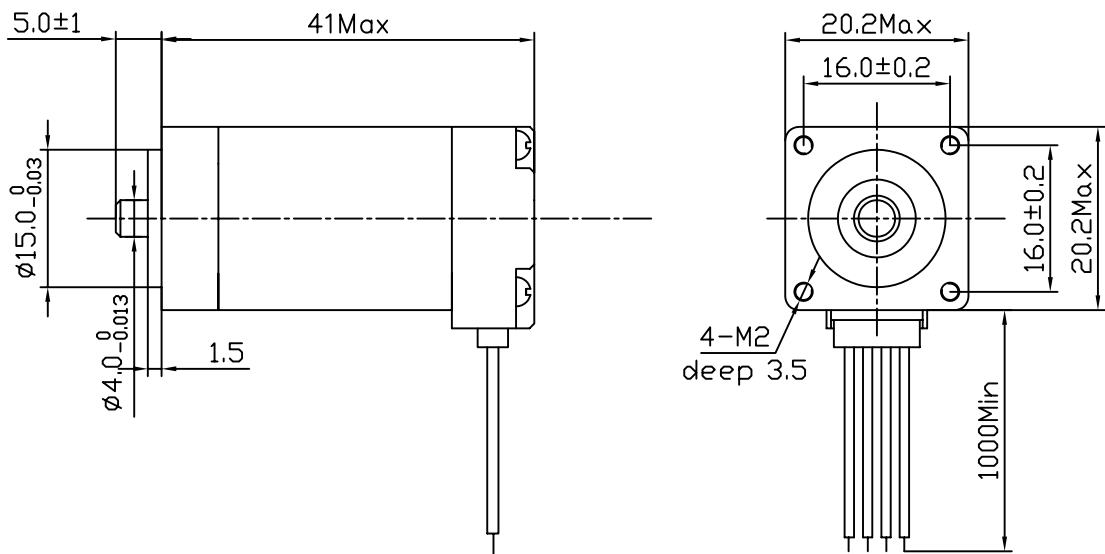
HIGH TORQUE HYBRID STEPPING MOTOR SPECIFICATIONS

General specifications		Electrical specifications	
Step Angle	1.8Deg±5%	Rated Voltage	4.32V
Number of phase	2	Rate Current	0.8A
Insulation resistance	100Mohm Min.(500V DC)	Resistance per phase	5.4±10%ohm
Insulation class	Class B	Inductance per phase	1.5±20% μ H
Rotor inertia	2.0 g.cm ²	Holding torque	300g.cm
Weight	0.06kg	Detent torque	g.cm

Wiring Diagram



Dimension:



REV	QTY	NO.	SIG.	DT.
DESIGN				
CHECK				
APPROVE				

TITLE:

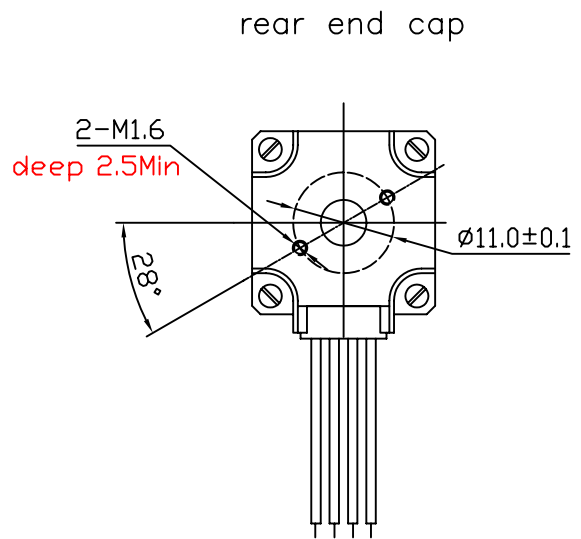
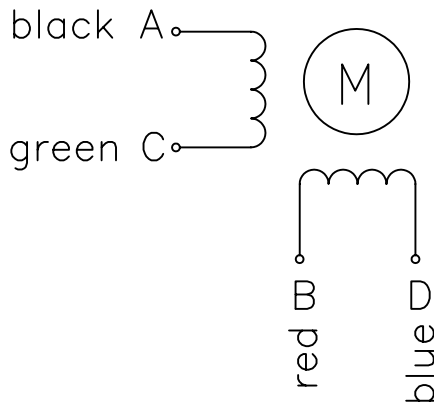
**FL20STH41-0804A
SPECIFICATION**

MOTION CONTROL

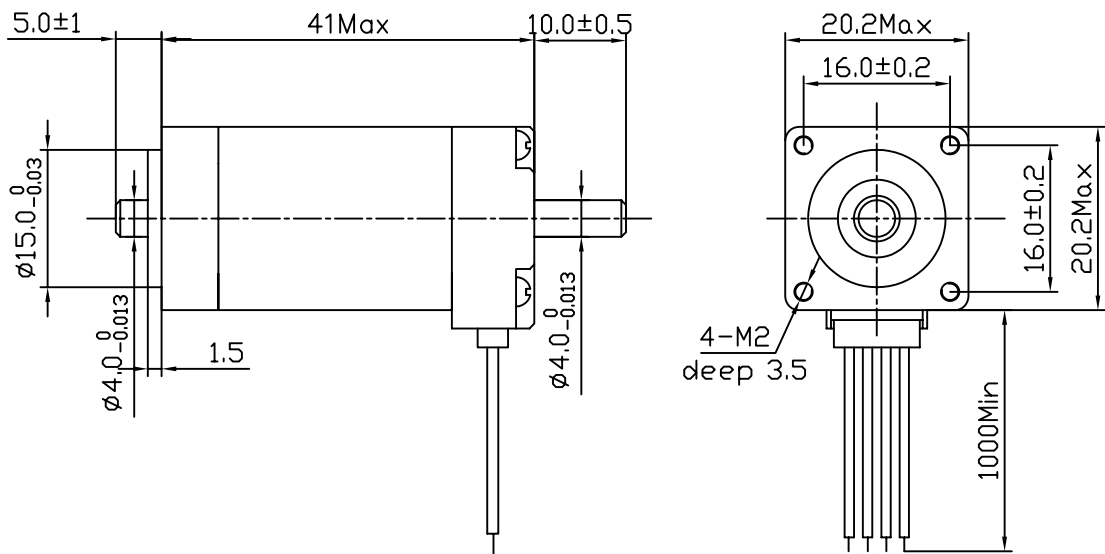
HIGH TORQUE HYBRID STEPPING MOTOR SPECIFICATIONS

General specifications		Electrical specifications	
Step Angle	1.8Deg±5%	Rated Voltage	4.32V
Number of phase	2	Rate Current	0.8A
Insulation resistance	100Mohm Min.(500V DC)	Resistance per phase	5.4±10%ohm
Insulation class	Class B	Inductance per phase	1.5±20% μ H
Rotor inertia	2.0 g.cm ²	Holding torque	300g.cm
Weight	0.06kg	Detent torque	g.cm

Wiring Diagram



Dimension:



REV	QTY	NO.	SIG.	DT.
DESIGN				
CHECK				
APPROVE				

TITLE:

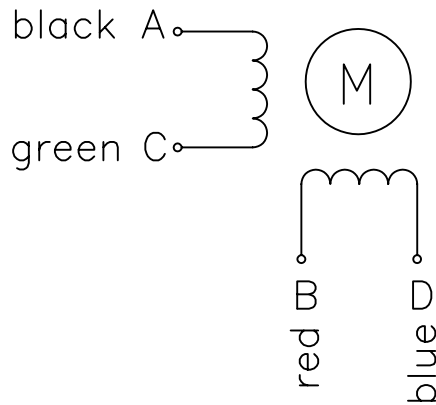
**FL20STH41-0804B
SPECIFICATION**

MOTION CONTROL

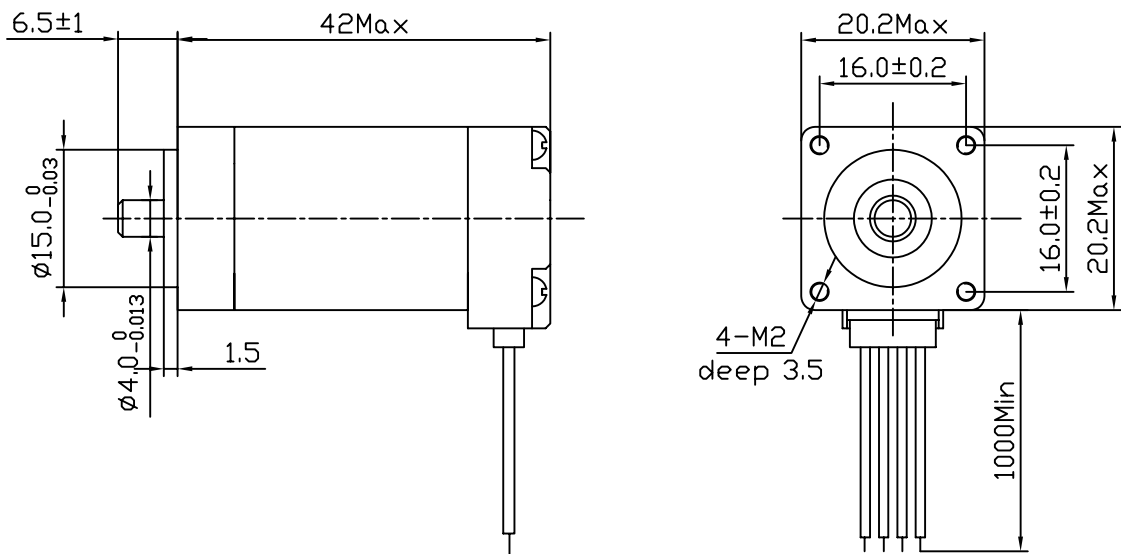
HIGH TORQUE HYBRID STEPPING MOTOR SPECIFICATIONS

General specifications		Electrical specifications	
Step Angle	1.8Deg±5%	Rated Voltage	4.32V
Number of phase	2	Rate Current	0.8A
Insulation resistance	100Mohm Min.(500V DC)	Resistance per phase	5.4±10%ohm
Insulation class	Class B	Inductance per phase	1.5±20% mH
Rotor inertia	2.0 g.cm ²	Holding torque	300g.cm
Weight	0.06kg	Detent torque	g.cm

Wiring Diagram



Dimension:



REV	QTY	NO.	SIG.	DT.
DESIGN				
CHECK				
APPROVE				

TITLE:

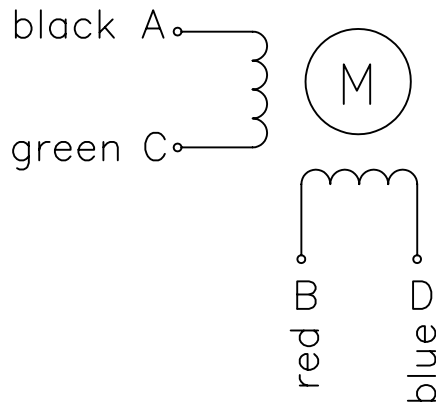
**FL20STH42-0804A
SPECIFICATION**

Motion Control

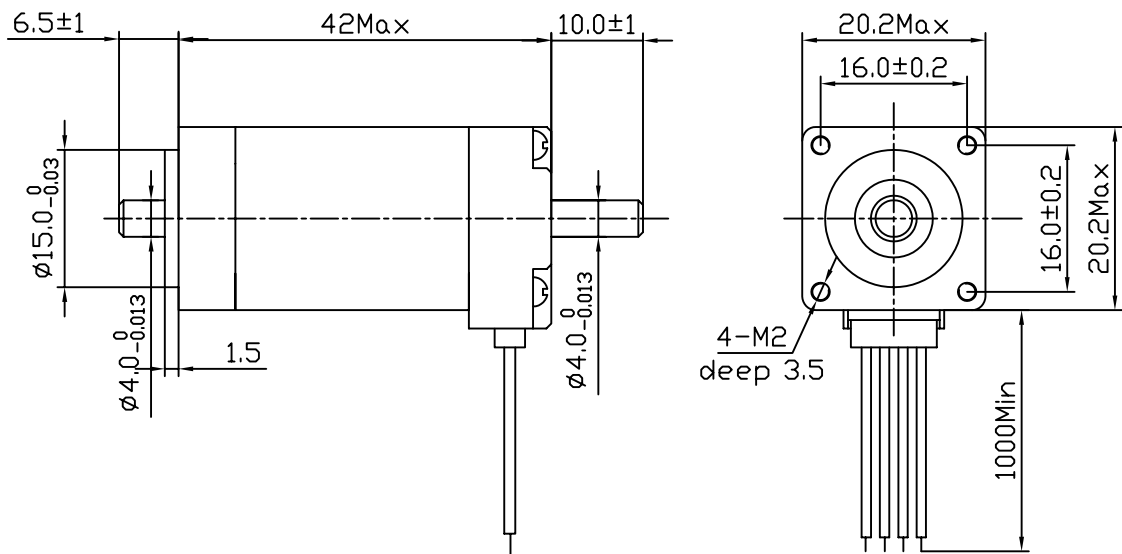
HIGH TORQUE HYBRID STEPPING MOTOR SPECIFICATIONS

General specifications		Electrical specifications	
Step Angle	1.8Deg±5%	Rated Voltage	4.32V
Number of phase	2	Rate Current	0.8A
Insulation resistance	100Mohm Min.(500V DC)	Resistance per phase	5.4±10%ohm
Insulation class	Class B	Inductance per phase	1.5±20% mH
Rotor inertia	2.0 g.cm ²	Holding torque	300g.cm
Weight	0.06kg	Detent torque	g.cm

Wiring Diagram



Dimension:



REV	QTY	NO.	SIG.	DT.
DESIGN				
CHECK				
APPROVE				

TITLE:

**FL20STH42-0804B
SPECIFICATION**

Motion Control