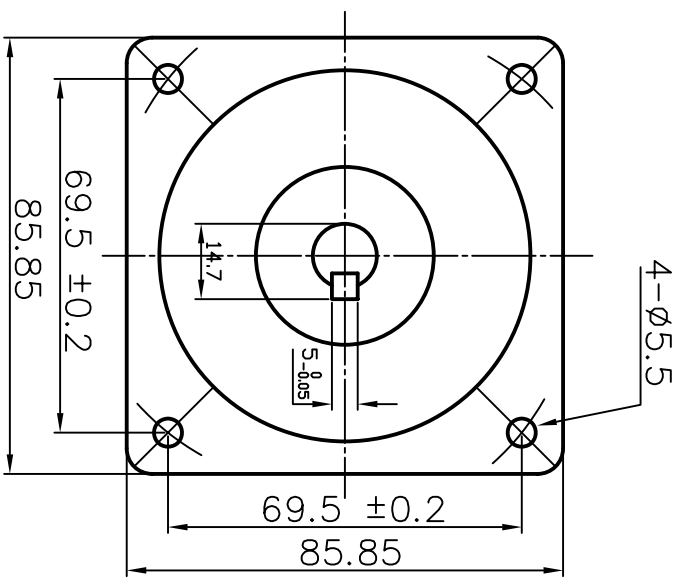
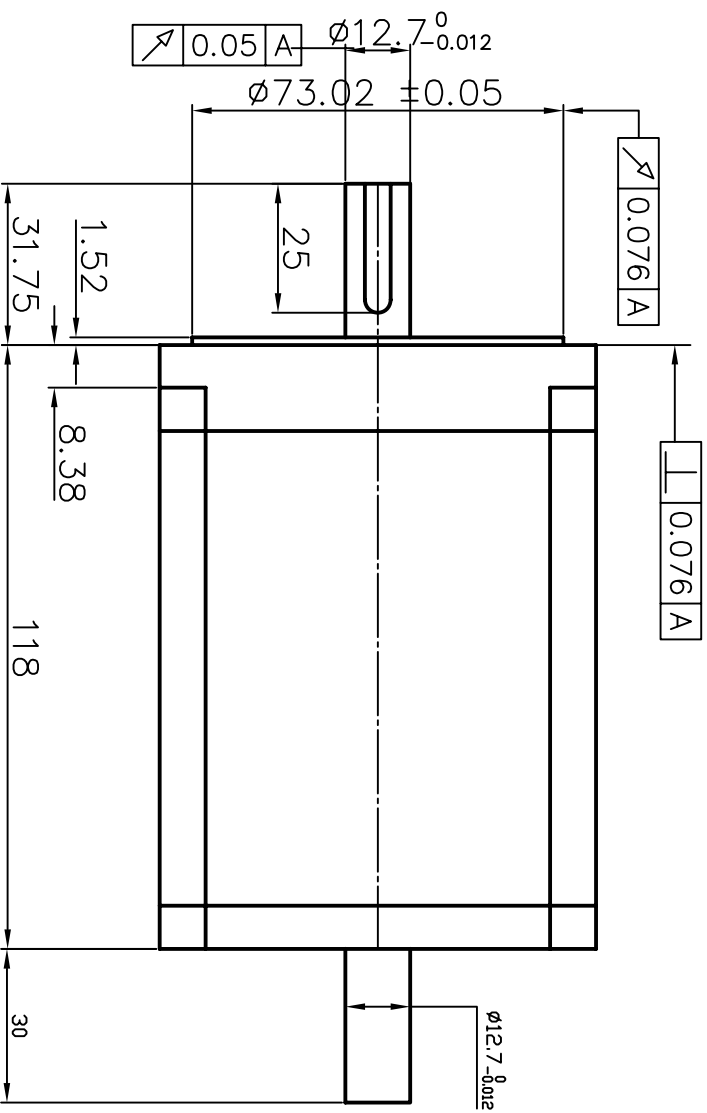


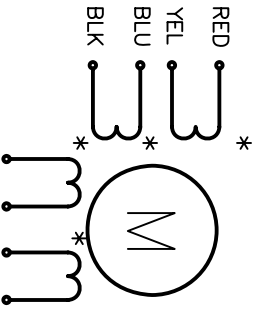
Dimension:



Specifications:

PHASE	STEP ANGLE	CONNECTION STYLE	CURRENT	RESISTANCE	INDUCTANCE	HOLDING TORQUE	ROTOR INERTIA	WEIGHT
4	1.8	parallel	A	0.6	6.5	N.m	gcm ²	Kg
		series	3	2.4	26	8.5	2700	3.8
		unipolar	4.2	1.2	6.5	6		

Wiring Diagram:



WHT ORG BRN GRN

UL1007 20AWG LENGTH 400mm

REV/ECH	NO.	DESCRIPTION	DRN	APP'D	DATE	DESIGN	DATE	P/N
UNLESS OTHERWISE SPECIFIED						TITLE SPECIFICATIONS		
TOLERANCES:						USED DN FL86STH18-4208B		
DECIMALS:						DWG NO. FX3.162.5032SS		
ANGULAR:						REV		
.x ±0.5								
.xx ±0.25								
.xxx ±0.1								
UNIT: mm								
DD NOT SCALE DRAWING								
THIRD ANGLE PROJECTION			SCALE			MCP LTD		
SHEET			SHEET			DF		