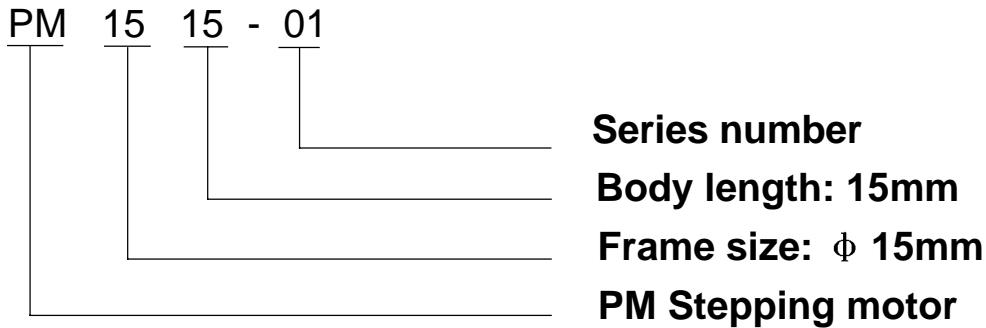
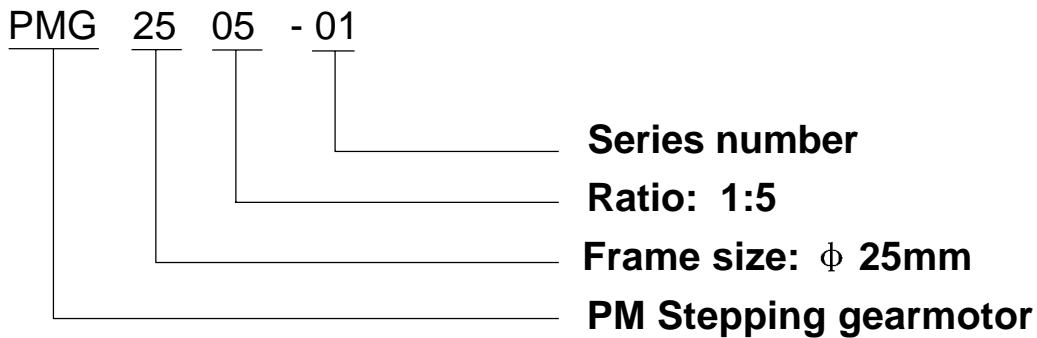


## **PM Stepping Motor & PM Stepping Gearmotor**

### ◆ Product Number Code For PM Stepping Motor



### ◆ Product Number Code For PM Stepping Gearmotor



# PM STEPPING MOTOR

## PM15/20/25 SERIES

### ◆ General Specification for PM Stepping Motor

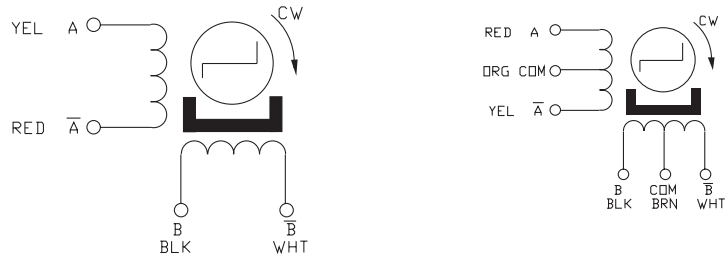
Item	Specifications
Step Angle Accuracy	±8% (full step, no load)
Resistance Accuracy	± 10%
Inductance Accuracy	± 20%
Temperature Rise	80°CMax.(rated current,2 phase on)
Ambient Temperature	-20°C~+50°C
Insulation Resistance	100MΩ Min. ,500VDC
Dielectric Strength	500VAC for one minute
Shaft Radial Play	0.06Max. (450 g-load)
Shaft Axial Play	0.08Max. (450 g-load)

### ◆ SPECIFICATIONS:

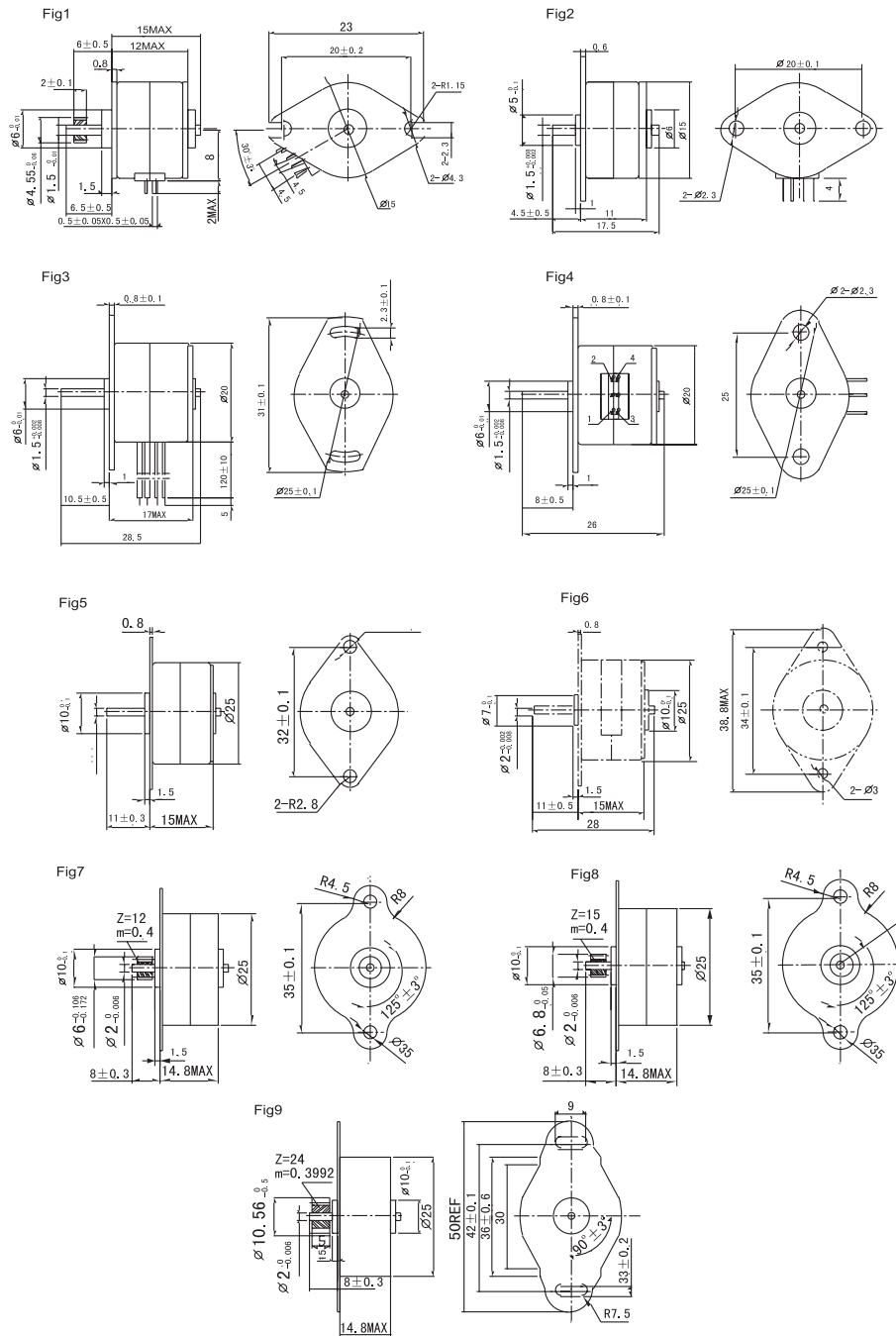
Model	Step Angle (Deg.)	No. of Phase	Voltage (V)	Current /Phas (A)	Resistance /Phase (ohm)	Inductance /Phase (mH)	Holding Torque (g.cm)	Detent Torque (g.cm)	Rotor Inertia (g.cm <sup>2</sup> )	Leads	Wire Diagram	Dimensions
PM1515-01	18	2	5	0.5	10	2.3	27	10	0.3			1
PM1515-02	18	4	12	0.065	190	40	40	10	0.3			2
PM1515-03	18	2	5	0.25	20	5.3	30	10	0.3			2
PM1515-04	18	2	12	0.24	50	9.5	35	10	0.3			2
PM2015-01	18	2	5	0.5	10	3.95	75	30	0.6	UL1061 AWG28	A	3
PM2015-02	18	2	5	0.4	13	4.5	65	30	0.6			4
PM2515A-01	7.5	4	5	0.5	10	2.7	110	45	1	UL1061 AWG28	B	5
PM2515A-02	7.5	4	12	0.24	50	12.5	110	45	1	UL1061 AWG28	B	6
PM2515A03	7.5	4	20	0.4	50	12.5	155	45	1	UL1095 AWG28	B	7
PM2515A04	7.5	4	20	0.4	50	12.5	155	45	1	UL1095 AWG28	B	8
PM2515A05	7.5	4	24	0.4	60	18.2	155	45	1	UL1095 AWG28	B	8
PM2515A-06	7.5	4	24	0.285	85	22.6	120	45	1	UL1095 AWG28	B	9
PM2515B01	15	4	9	0.45	20	4.2	150	75	1	UL1061 AWG28	B	10
PM2515B-02	15	4	12	0.4	30	6.5	150	75	1	UL1061 AWG28	B	11

# PM STEPPING MOTOR

## ◆ WIRING DIAGRAM:



## ◆ DIMENSIONS:



# PM STEPPING MOTOR

## PM35/42/55 SERIES

### ◆ General Specification for PM Stepping Motor

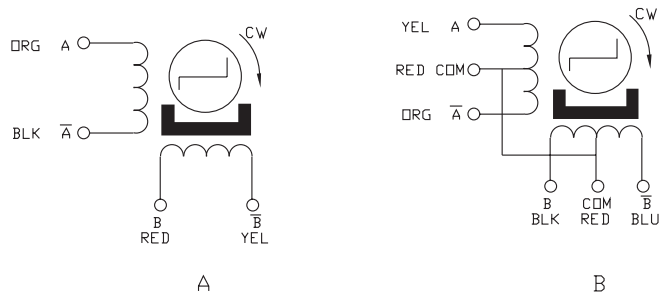
Item	Specifications
Step Angle Accuracy	± 8% (full step, no load)
Resistance Accuracy	± 10%
Inductance Accuracy	± 20%
Temperature Rise	80°CMax.(rated current,2 phase on)
Ambient Temperature	-20°C~+50°C
Insulation Resistance	100M Ω Min. ,500VDC
Dielectric Strength	500VAC f-or one minute
Shaft Radial Play	0.06Max. (450 g-load)
Shaft Axial Play	0.08Max. (450 g-load)

### ◆ SPECIFICATIONS:

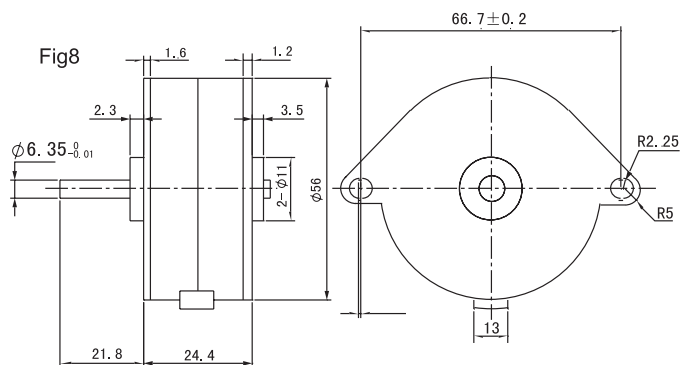
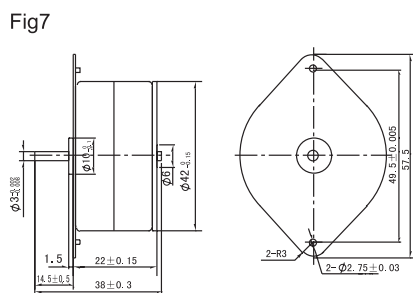
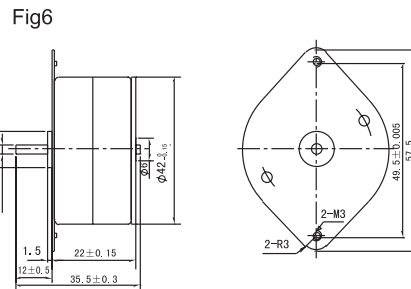
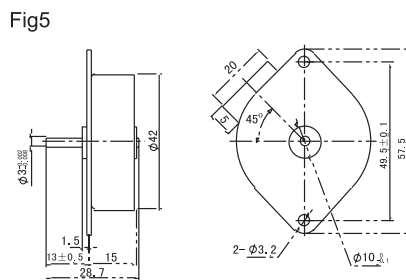
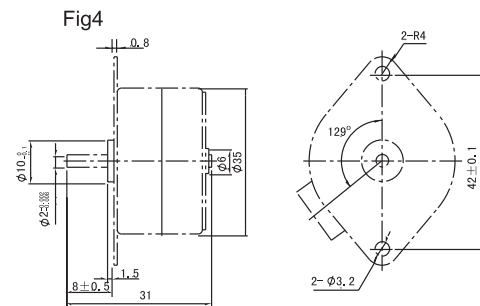
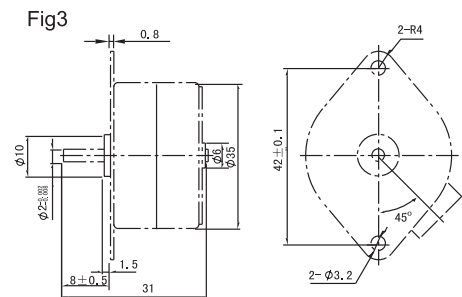
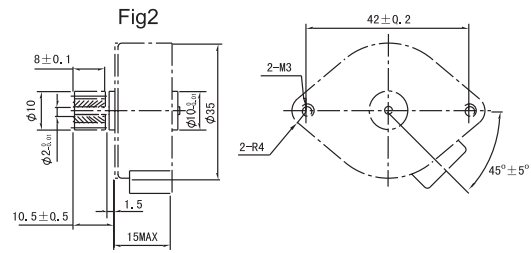
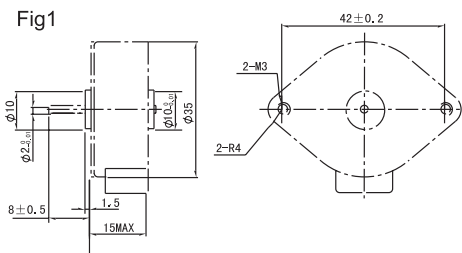
Model	Step Angle (Deg.)	No. of Phase	Voltage (V)	Current /Phase (A)	Resistance /Phase (ohm)	Inductance /Phase (mH)	Holding Torque (g.cm)	Detent Torque (g.cm)	Rotor Inertia (g.cm <sup>2</sup> )	Leads	Wire Diagram	Dimensions
PM3515-01	7.5	2	5	0.71	7	8	250	65	2.5	UL1061 AWG28	A	1
PM3515-02	7.5	2	5	0.42	12	11.5	200	65	2.5	UL1007 AWG26	A	2
PM3515-03	7.5	4	12	0.26	47	22	180	65	2.5	UL1007 AWG26	B	1
PM3522-01	7.5	2	12	0.2	60	77.5	550	120	7.9	UL1007 AWG26	A	3
PM3522-02	7.5	4	5	0.862	5.8	8	550	125	7.9	UL1007 AWG26	B	4
PM3522-03	7.5	4	18	1.3	13.5	10.3	800	120	7.9	UL1007 AWG26	B	4
PM3522-04	15	4	5	0.46	11	8	300	125	7.5	UL1007 AWG26	B	4
PM4215-01	7.5	4	5	0.58	8.6	6	400	100	9.6	UL1007 AWG26	A	5
PM4215-02	7.5	4	12	0.3	40	26.2	500	100	9.6	UL1007 AWG26	B	5
PM4215-03	7.5	4	24	0.2	120	80.6	450	100	9.6	UL1007 AWG26	B	5
PM4222-01	7.5	4	5	0.81	6.2	5.7	650	140	11.4	UL1007 AWG26	A	6
PM4222-02	7.5	4	19	1.27	15	49.8	1100	210	11.4	UL1007 AWG26	B	7
PM5525-01	7.5	4	12	0.4	30	38.5	1600	250	30	UL1007 AWG26	A	8

# PM STEPPING MOTOR

## ◆ WIRING DIAGRAM:



## ◆ DIMENSIONS:



# PM STEPPING GEARMOTOR

## PMG25/35/42 SERIES

### ◆ General Specification for PM Stepping Gearmotor

Item	Specifications
Step Angle Accuracy	± 7% (full step, no load)
Resistance Accuracy	± 10%
Temperature Rise	80°C Max. ambient temperature 40°C
Ambient Temperature	-20°C~+50°C
Insulation Resistance	100M Ω Min. ,500VDC
Dielectric Strength	650VAC for one second, leakage current 1mA

### ◆ SPECIFICATIONS:

Model	PMG2505-01	PMG2505-02	PMG2510-01	PMG3519-01	PMG4210-01	PMG4250-01	PMG42150-01
Number of phase	2	2	2	4	2	2	2
Operating voltage V	2.6	3.5	2.8	12	12	12	12
Resistance/Phase ohms	5	9.6	6	30	20	20	20
Holding torque of motor g.cm	150	150	150	500	550	550	550
Detent torque of motor g.cm	45	45	45	120	140	140	140
Step angle of motor	7.5	7.5	7.5	7.5	7.5	7.5	7.5
Max. pull in rate of motor pps	380	450	550	360	430	430	430
Pull in torque kg.cm @200pps	0.075	0.1	0.2	1.9	2	10	30
Ratio	1:5	1:5	1:10	1:19	1:10	1:50	1:150

### ◆ WIRING DIAGRAM:



### ◆ DIMENSIONS:

