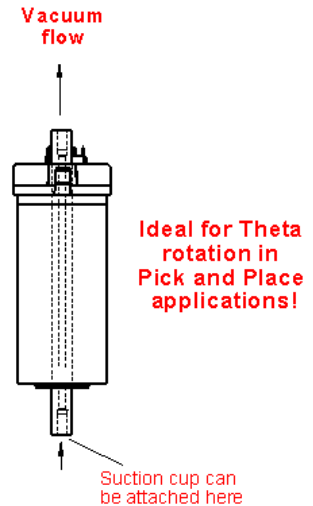




ARC-H Series

Rotary Coreless Hollow Shaft Servo Motors



- Zero cogging, hollow shaft coreless servo motors
- Integrated with hall sensors and encoders
- Diameter 26 mm and 40 mm

Data sheet

Model	Units	ARC26H-56	ARC40H-72
Diameter	mm	26	40
Through hole diameter	mm	2	3
Nominal voltage	V	24	24-48
Continuous torque	mNm	47.85	224.00
Peak torque	mNm	191.40	896.00
Torque constant	mNm/A	14.50	56.00
Back EMF	mV/rpm	1.518	5.864
Terminal resistance	ohm	0.80	1.24
Continuous current	A	3.30	4.00
Peak current	A	13.20	16.00
Motor constant	mNm/SqRt(W)	16.21	50.29
Encoder resolution - C1	CPR	2048	2048
Rotor inertia	gcm ²	10.03	65.29
Mass	g	151.0	400.9

* Encoder counts X4 with decoding

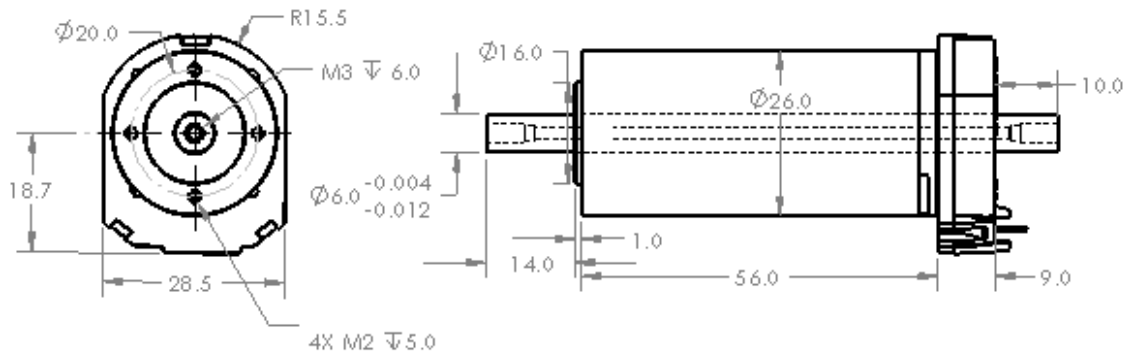
Terminals

Motor	M1	Blue
	M2	Yellow
	M3	Red
Hall Sensor	5V	Red
	Gnd	Black
	Ha	Green
	Hb	Yellow
	Hc	Blue

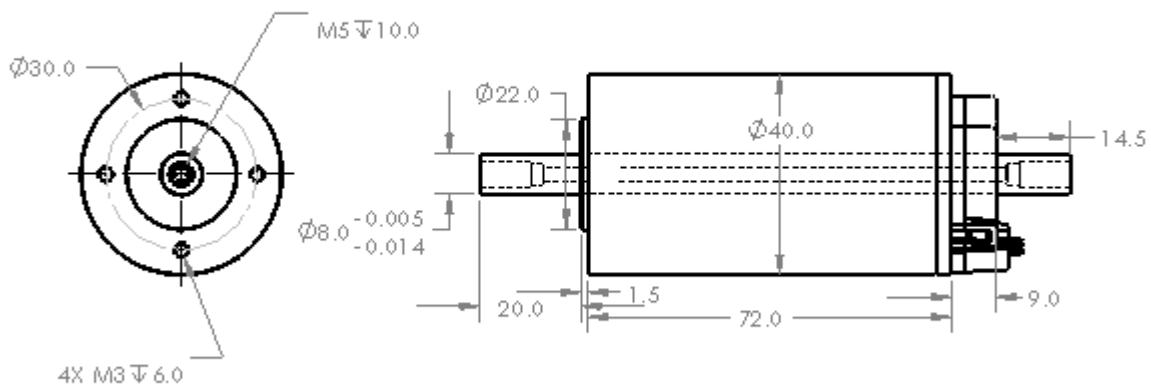
Encoder (9 pin D-Sub)

Pin	Signal
1	5V
2	A+
3	A-
4	B+
5	B-
6	Z+
7	Z-
9	Gnd

ARC26H-56-C1



ARC40H-72-C1



Part Numbering

ARC	Motor Diameter (mm)	Hollow shaft	Motor length (mm)	Encoder Model
	26, 40	H	56, 72	C1

Example: ARC26H-56