

GD Geared Linear Actuators

Features

- Aluminum inner and outer tubes
- Built-in limit switch (factory preset)
- High efficiency ACME screw
- Optional potentiometer or Hall Effect sensor
- 5 different gear ratios for choice
- Compact construction
- All gears are powder metal
- Pull or push design
- Lubrication for life time



Technical Data

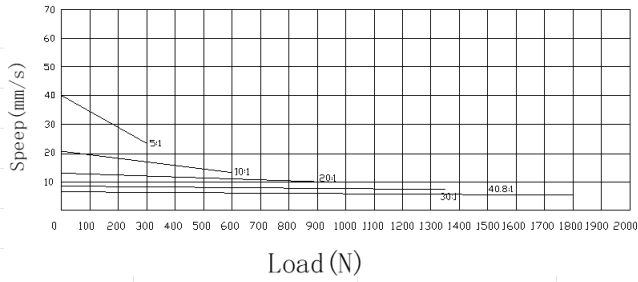
- Input power: 12 VDC / 24 VDC
- Duty cycle: 10%
- Gear ratio: 5:1 / 10:1 / 20:1 / 30:1 / 40:1
- Stroke length: 10mm to 300mm¹
- Operation temperature: -20°C to +65°C
- Protection class: up to IP66 (optional)

Relevant Parameters

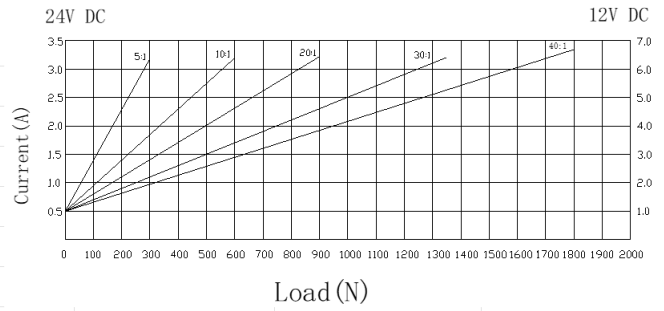
| Model | | A | B | C | D | E |
|-------------------------|-------|-------------|------------|------------|------------|------------|
| Gear Ratio | | 5:1 | 10:1 | 20:1 | 30:1 | 40:1 |
| Max. Load (Push) | | 300N | 600N | 900N | 1350N | 2000N |
| Max. Speed at full load | | 40mm/sec | 21mm/sec | 13mm/sec | 10mm/sec | 6.5mm/sec |
| Stroke Length | | 10 - 300mm | 10 - 300mm | 10 - 300mm | 10 - 300mm | 10 - 300mm |
| Max. Current | 12VDC | 6.50A | 6.50A | 6.50A | 6.50A | 6.50A |
| | 24VDC | 3.30A | 3.30A | 3.30A | 3.30A | 3.30A |
| Weight (Kg) | | 0.80 - 1.20 | | | | |

¹ Custom length may be available upon request. MOQ applies

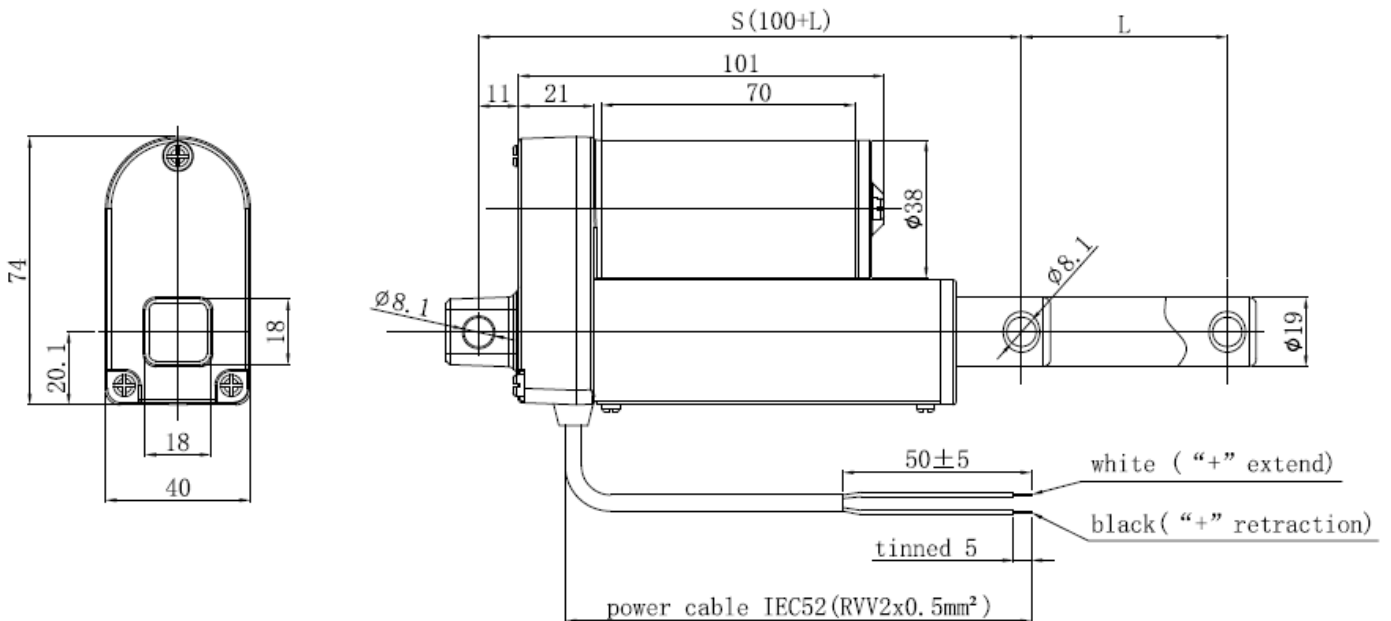
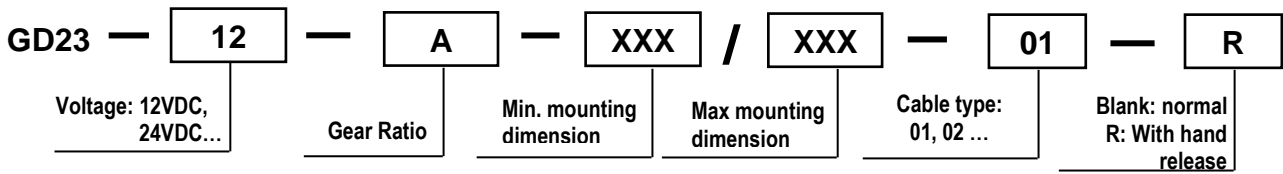
Speed vs Load



Current vs Load



Order Format



Copyright © 2019 Motion Control Products Ltd. All rights reserved. All data and contents subject to change without notice in advance