

GT44 Geared Linear Actuators

Features

- Aluminum housing, stainless steel piston rod
- Plastic worm gears
- High efficiency ACME screw
- Built-in limit switch
- Optional Hall Effect sensor
- Noise level ≤ 50 dB
- Pull or push design
- Lubrication for life time



Technical Data

- Input power: 12 VDC / 24 VDC
- Duty cycle: 10% (1min. running, 9 min. rest)
- Max. push/pull force: 6000N / 4000N
- Protection class: up to IP66 (optional)

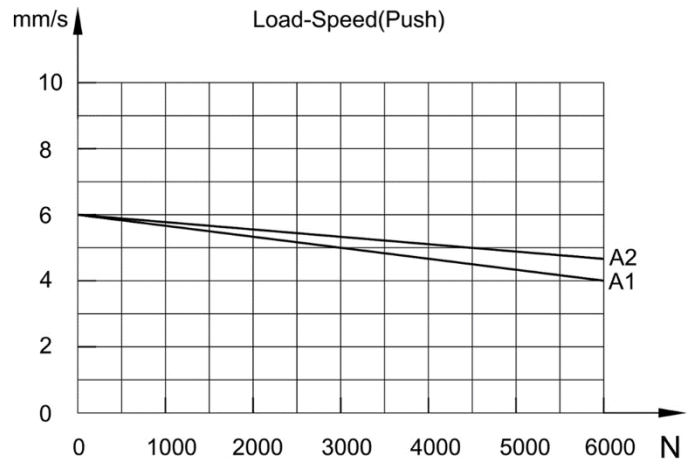
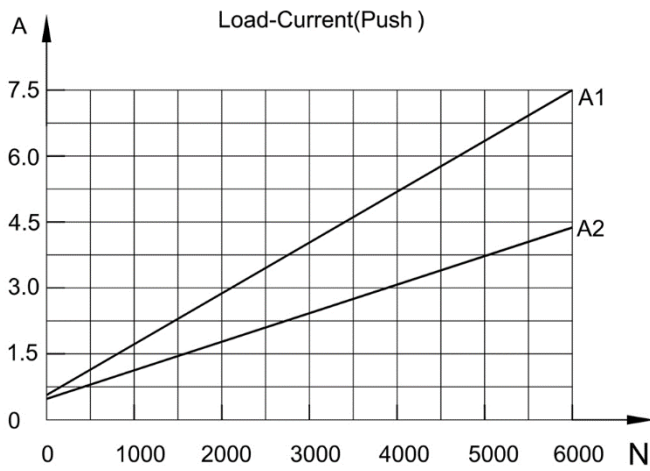
Typical Application

- Smart Home
- Electric Wheelchair
- Industrial Automation
- Lifting Bed
- Medical Equipment
- Others

Technical Parameters

Model	Voltage (VDC)	Max. Static Load (N)	Max. Dynamic Load (N)		Current (A)		Speed (mm/s)	
			Push	Pull	No-load	Max. Load	No-load	Max. Load
GT44-1235	12	6000	6000	4000	0.6	7.5	6	4
GT44-2435	24	6000	6000	4000	0.4	4.2		4.63

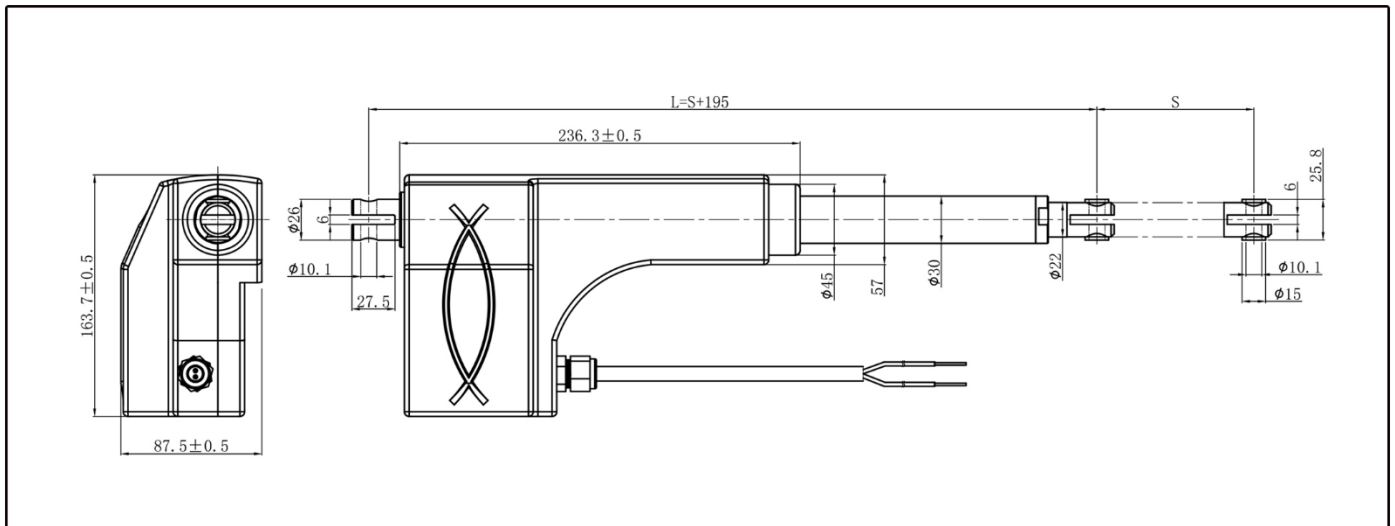
Performance Curves



A1: GT44-1235 / A2: GT44-2435

Outline Dimensions

Unit: in mm (Installation dimensions: $L=S+195$; $104 \leq S \leq 400$)



Copyright © 2019 Motion Control Products Ltd. All rights reserved. All data and contents subject to change without notice in advance

MOTION CONTROL PRODUCTS LTD. 11-15 Francis Ave. Bournemouth, Dorset, UK. BH11 8NX

Tel.: +44 (0)1202 599922

enquiries@motioncontrolproducts.com

Web: www.motioncontrolproducts.com