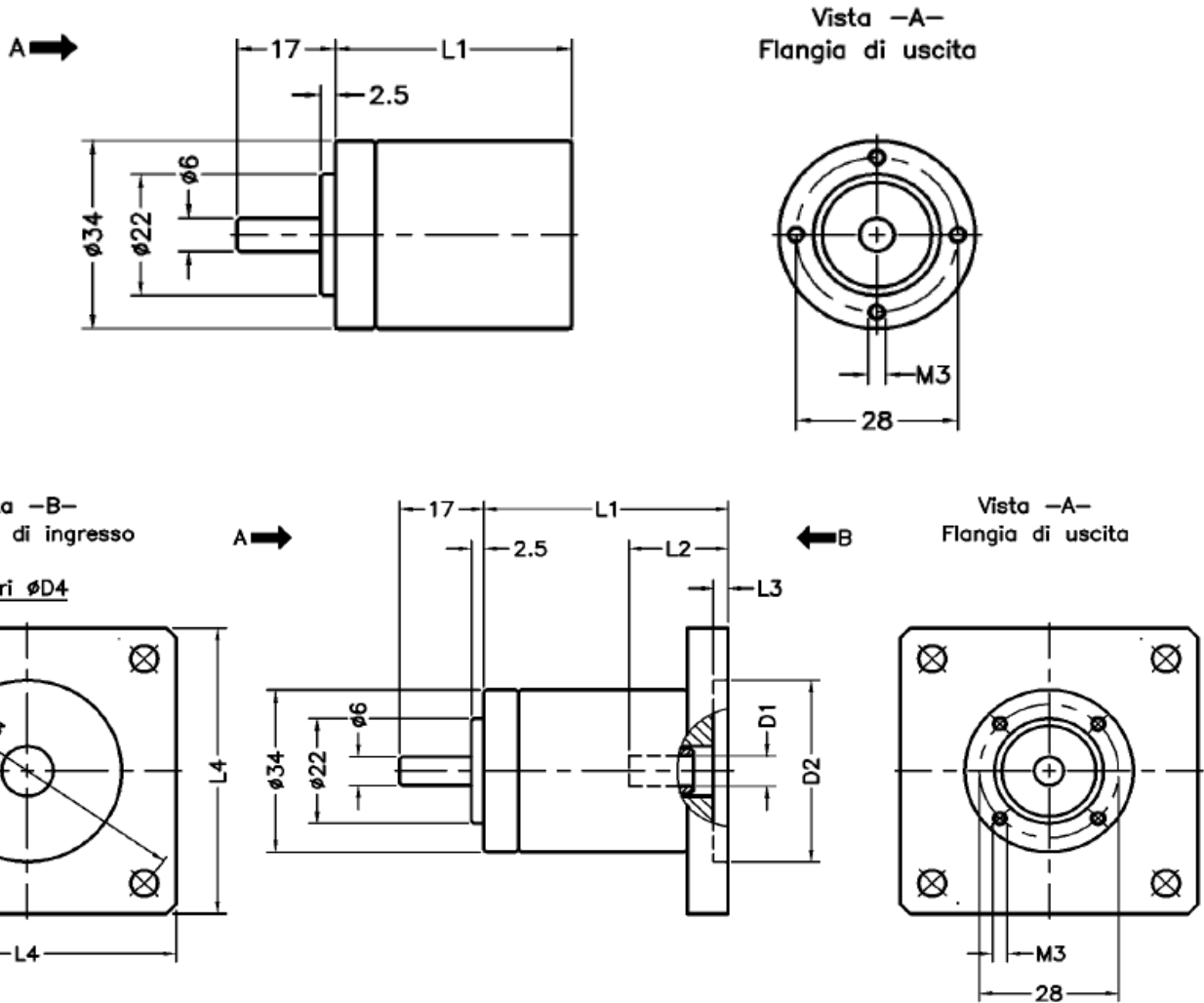


# RE34 PLANETARY GEARBOX



Input shaft dimensions									
D1	5*	6.25*							
L2	20	20							

\* Only available for ratio 4, 16, 64.

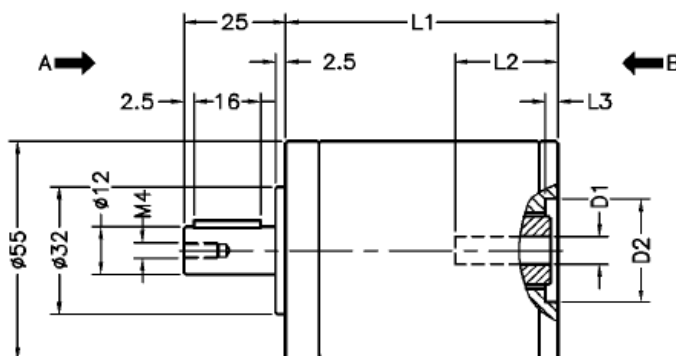
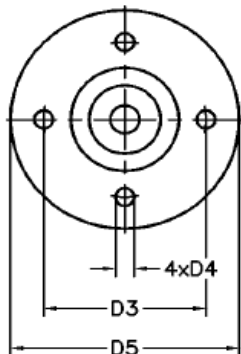
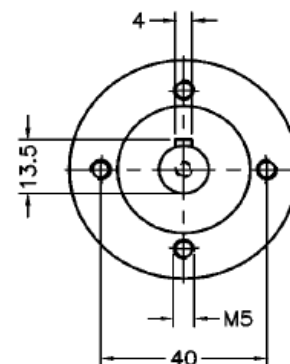
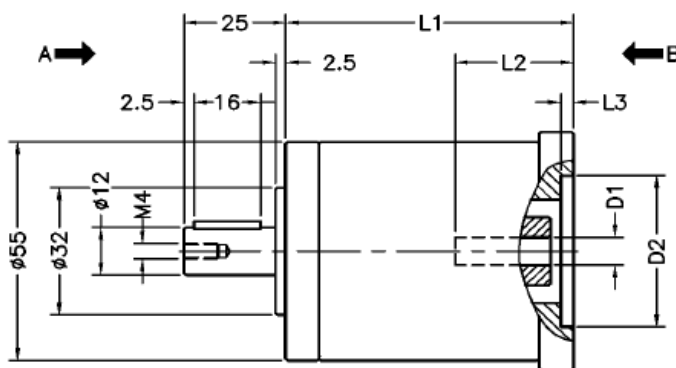
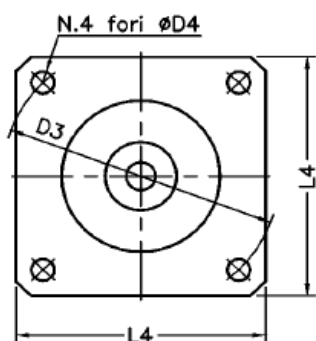
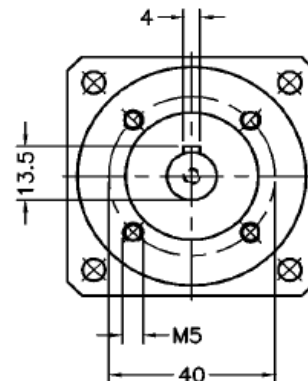
Gear Dimensions											
Flange Type	Flange Code	L3	L4	D2	D3	D4	D5	D1xD2 max	L1		
									1 Stage	2 Stages	3 Stages
-	-	-	-	-	-	-	-	5 x 20	31	41	51
NEMA 17	F 49	2.5	40	22	44	3.5	-	6.35 x 18	35	45	55
NEMA 23	F 02	3	60	38.1	66.67	5.5	-	6.35 x 20	39.5	49.5	59.5

### Technical Specifications

Stage Number	Ratios	Rated torque	Starting torque	Efficiency	Rated input speed	Max. input speed	Backlash output shaft	weight
		Mn2 Nm	Ma2 Nm	ηd %	n1 rpm	nm1 rpm	Arcmin	Kg
1	4	0.8	1.2	95	4000	5000	<20	0.2
	6.25	0.7	1.0		4000	5000		
	8	0.7	1.0		4000	5000		
2	16	1.0	1.5	91	4000	5000	<20	0.25
	25	1.5	2.1		4000	5000		
	39.06	1.8	2.5		4000	5000		
	50	2.5	3.0		4000	5000		
3	64	6	6.5	87	4000	5000	<20	0.3
	100	6.2	6.5		4000	5000		
	244.14	6.5	8.0		4000	5000		
	312.5	6.8	8.0		4000	5000		
	400	8	8.3		4000	5000		

\*\*\*\*\* If you are not sure which model you should go with, please contact our technical sales for advice before placing your order.

# RE55 PLANETARY GEARBOX

 Vista -B-  
Flangia di ingresso

 Vista -A-  
Flangia di uscita

 Vista -B-  
Flangia di ingresso

 Vista -A-  
Flangia di uscita


### Input shaft dimensions

D1	6	6.35	7	8	9	11	14			
L2	25	25	25	25	25	25	30			

### Gear Dimensions

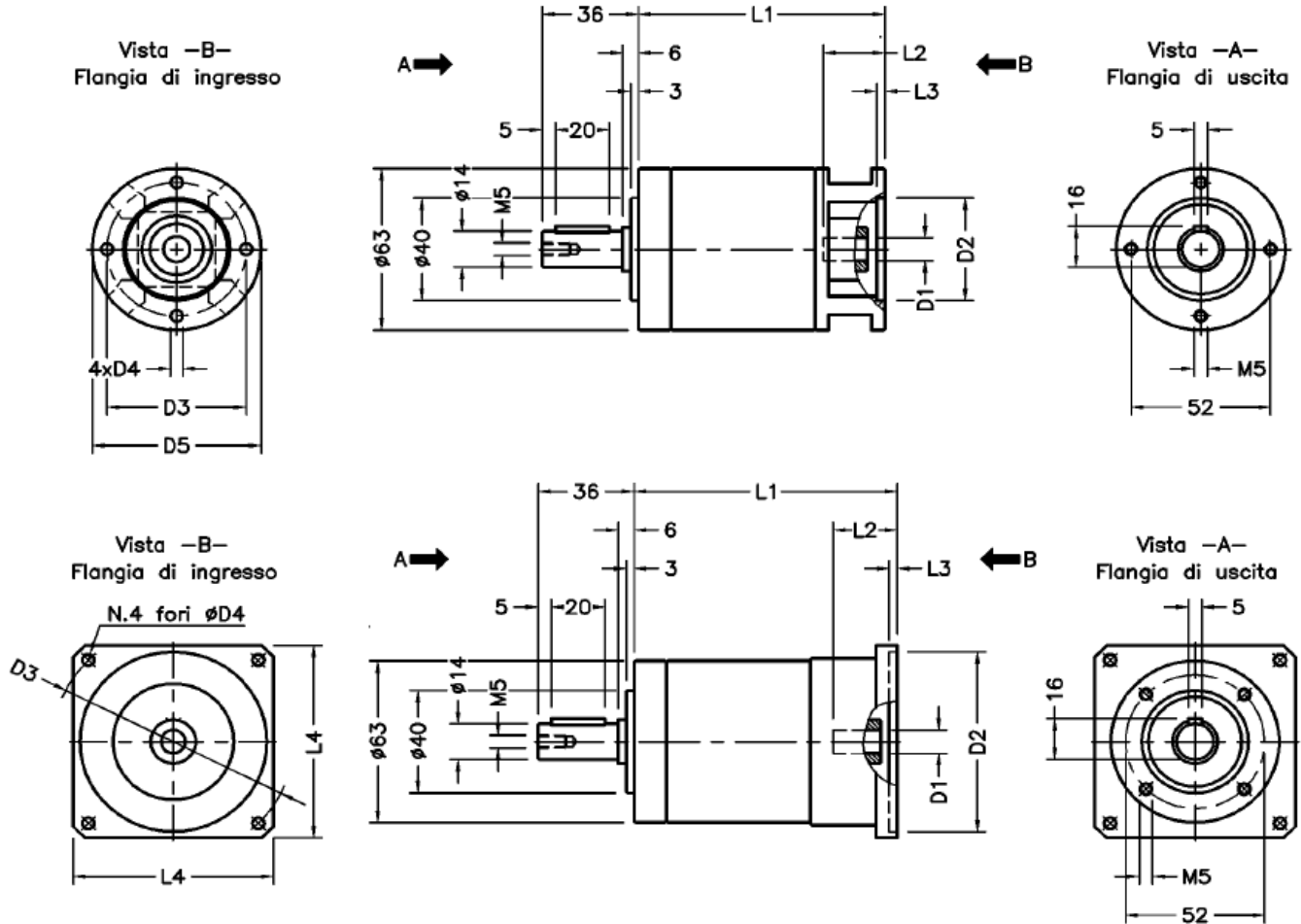
Flange Type	Flange Code	L3	L4	D2	D3	D4	D5	D1xL2 max	L1		
									1 Stage	2 Stages	3 Stages
Standard	F01	3	-	25/26	39	4.5	55	*	52	67	82
30-46	F15	3	-	30	46	4.5	55	9x25	71	86	101
40-63	F16	3	55	40	63	4.5	-	11x25	73	88	103
50-60 T	F36	3	-	50	60/64	M4/4.5	75	*	57	72	88
56 B14	F06	3	60	50	65	5.5	-	11x25	71	86	101
50-70	F17	3	60	50	70	M5/5.5	-	14x30	76	91	106
63 B14	F40	3	70	60	75	5.5	-	11x25	71	86	101
NEMA 23	F02	3	60	38.1	66.67	5.5	-	11x25	71	86	101
NEMA 34	F04	3	90	73	98.4	5.5	-	11x30	71	92	107

### Technical Specifications

Stage Number	Ratios	Rated torque	Starting torque	Efficiency	Rated input speed	Max. input speed	Backlash output shaft	weight		
	i	Mn2 Nm	Ma2 Nm	$\eta$ %	n1 rpm	nm1 rpm	Arcmin	Kg		
1	3	18	35	95	3000	4000	$\leq 5$ $\leq 10$ $\leq 15$	0.6		
	4	35	55		3000	5000				
	5	25	30		3000	5000				
	6	30	35		3000	5000				
2	9	18	35	94	3000	5000		$\leq 5$ $\leq 10$ $\leq 15$	0.75	
	12	20	35		3000	5000				
	16	35	55		3000	5000				
	20	35	55		3000	5000				
	24	35	55		3000	5000				
	30	25	30		3000	5000				
3	36	30	38	90	3000	5000			$\leq 5$ $\leq 10$ $\leq 15$	0.9
	48	25	50		3000	5000				
	64	45	60		3000	5000				
	80	45	60		3000	5000				
	120	50	60		3000	5000				
	150	30	45		3000	5000				
	180	33	45		3000	5000				
216	36	50	3000	5000						

\*\*\*\*\* If you are not sure which model you should go with, please contact our technical sales for advice before placing your order.

# RE63 PLANETARY GEARBOX



**Input shaft dimensions**

<b>D1</b>	6.35	7	8	9	9.52	11	12	12.7	14	
<b>L2</b>	18	18	20	20	23	23	30	30	30	

**Gear Dimensions**

Flange Type	Flange Code	L3	L4	D2	D3	D4	D5	D1xL2 max	L1		
									1 Stage	2 Stages	3 Stages
26-39	F01	3	-	26	39	4.5	63	11x23	77	92	107
30-46	F15	3	-	30	46	4.5	63	12x30	82.5	97.5	112.5
MEC56-B14	F06	3	-	50	65	5.5	80	11x23	77	92	107
MEC 63 B14	F07	3	-	60	75	5.5	90	11x23	77	92	107
40-63	F16	3	55	40	63	5.5	-	11x23	77	92	107
50-60	F36	3	55	50	60	M4	-	11x23	77	92	107
NEMA 23	F02	3	60	38.1	66.6	5	-	11x23	77	92	107
50-70	F17	4	70	50	70	5.5	-	14x30	82.5	97.5	112.5
60-90	F18	4	75	60	30	M5	-	14x30	82.5	97.5	112.5
70-90	F19	4	75	70	90	M5	-	14x30	82.5	97.5	112.5
NEMA 34	F04	3	85	73	98.4	5.5	-	14x32	83.9	98.9	113.9

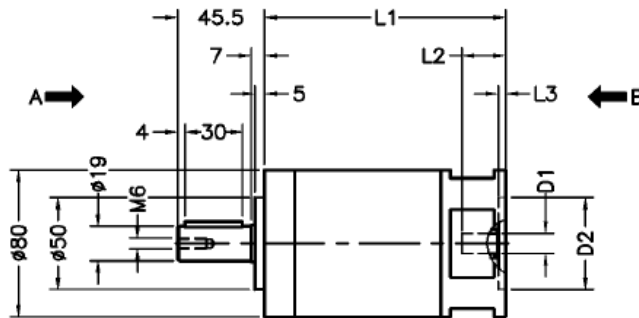
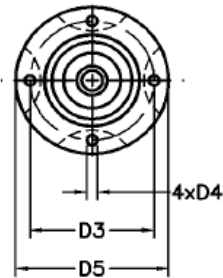
### Technical Specifications

Stage Number	Ratios	Rated torque	Starting torque	Efficiency	Rated input speed	Max. input speed	Backlash output shaft	weight		
	i	Mn2 Nm	Ma2 Nm	$\eta$ %	n1 rpm	nm1 rpm	Arcmin	Kg		
1	3	18	35	97	3000	4000	$\leq 5$ $\leq 10$ $\leq 15$	1.3		
	4	35	55		3000	5000				
	5	25	30		3000	5000				
	6	30	35		3000	5000				
2	9	18	35	94	3000	4000		$\leq 5$ $\leq 10$ $\leq 15$	1.6	
	12	20	35		3000	5000				
	16	35	55		3000	5000				
	20	35	55		3000	5000				
	24	35	55		3000	5000				
	30	25	30		3000	5000				
3	36	30	38	91	3000	5000			$\leq 5$ $\leq 10$ $\leq 15$	1.9
	48	25	50		3000	5000				
	64	45	60		3000	5000				
	80	45	60		3000	5000				
	120	50	60		3000	5000				
	150	30	45		3000	5000				
	180	33	45		3000	5000				
216	36	50	3000	5000						

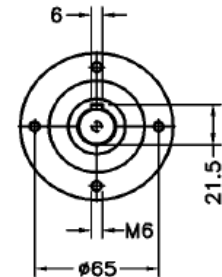
\*\*\*\*\* If you are not sure which model you should go with, please contact our technical sales for advice before placing your order.

# RE80 PLANETARY GEARBOX

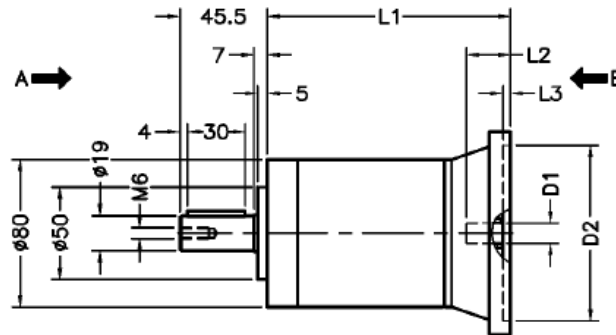
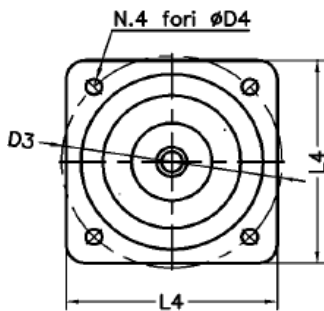
Vista -B-  
Flangia di ingresso



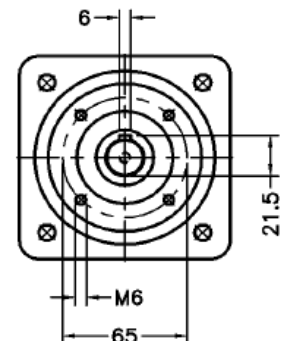
Vista -A-  
Flangia di uscita



Vista -B-  
Flangia di ingresso



Vista -A-  
Flangia di uscita



Input shaft dimensions										
D1	9	9.52	11	12	12.7	14	16	19	19.05	
L2	25	32	23	30	32	30	40	40	40	

Gear Dimensions											
Flange Type	Flange Code	L3	L4	D2	D3	D4	D5	D1xL2 max	L1		
									1 Stage	2 Stages	3 Stages
MEC56-B14	F06	4	-	50	65	5.5	80	14x30	103	126.5	150
MEC63-B14	F07	4	-	60	75	5.5	90	14x30	103	126.5	150
MEC71-B14	F08	4	80	70	85	6.5	-	14x30	103.5	127	150.5
MEC56 B5	F09	4	90	80	100	6.5	-	14x30	103.5	127	150.5
MEC63 B5	F10	4	110	95	115	8.5	-	14x30	103.5	127	150.5
MEC63 B5 H		4	110	95	115	8.5	-	19x40	113.5	137	160.5
MEC71 B5	F11	4	120	110	130	9	-	14x30	103.5	127	150.5
MEC71 B5 H		4	120	110	130	9	-	19x40	113.5	137	160.5
50-70	F17	4	-	50	70	5.5	80	14x30	104	127.5	151
70-90	F19	4	80	70	90	5.5	-	14x30	103.5	127	150.5
78-63.5	F28	5	-	78	63.5	6.5	84	14x30	108	131.5	155
NEMA 34	F04	4	85	73	98.4	5.5	-	16x32	105.5	129	152.5
NEMA 42B	F05	3.5	110	55.5	125.7	5.5	-	19x40	103.5	137	160.5
S4000A	F20	6	120	110	145	9	-	19x50	124.5	148	171.5

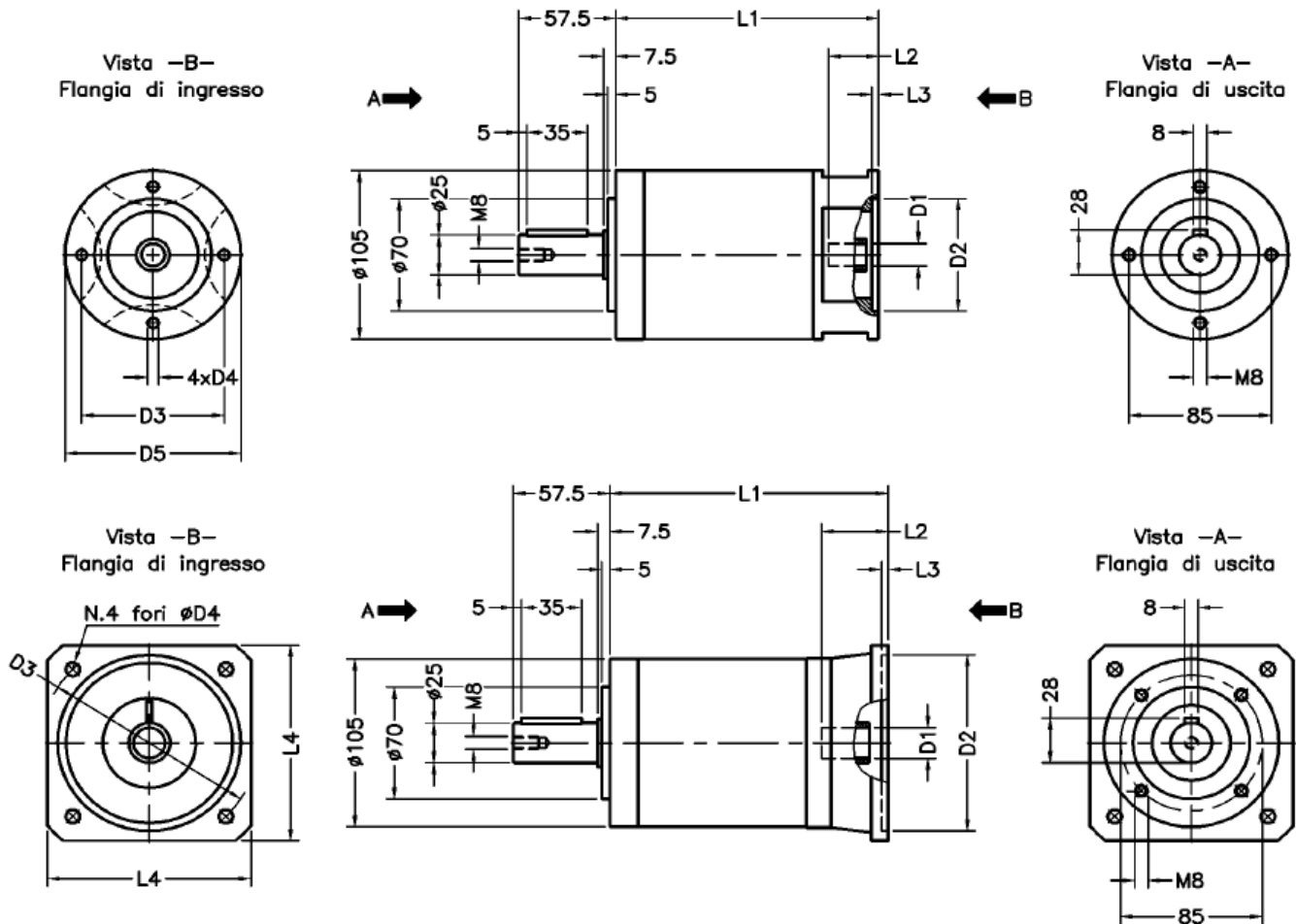
### Technical Specifications

Stage Number	Ratios	Rated torque	Starting torque	Efficiency	Rated input speed	Max. input speed	Backlash output shaft	weight		
	i	Mn2 Nm	Ma2 Nm	$\eta$ %	n1 rpm	nm1 rpm	Arcmin	Kg		
1	3	40	70	97	3000	4000	$\leq 5$ $\leq 10$ $\leq 15$	2.6		
	4	60	90		3000	5000				
	5	60	90		3000	5000				
	6	48	80		3000	5000				
2	9	40	70	94	3000	4000		$\leq 5$ $\leq 10$ $\leq 15$	3.4	
	12	40	70		3000	5000				
	16	60	100		3000	5000				
	20	60	100		3000	5000				
	24	60	100		3000	5000				
	30	60	100		3000	5000				
3	36	60	100	91	3000	5000			$\leq 5$ $\leq 10$ $\leq 15$	4.2
	48	80	105		3000	5000				
	64	100	120		3000	5000				
	80	100	120		3000	5000				
	120	105	120		3000	5000				
	150	105	120		3000	5000				
	180	105	120		3000	5000				
216	105	120	3000	5000						

\*\*\*\*\* If you are not sure which model you should go with, please contact our technical sales for advice before placing your order.



# RE105 PLANETARY GEARBOX



**Input shaft dimensions**

<b>D1</b>	14	16	19	19.05	22	24				
<b>L2</b>	30	40	40	40	50	50				

**Gear Dimensions**

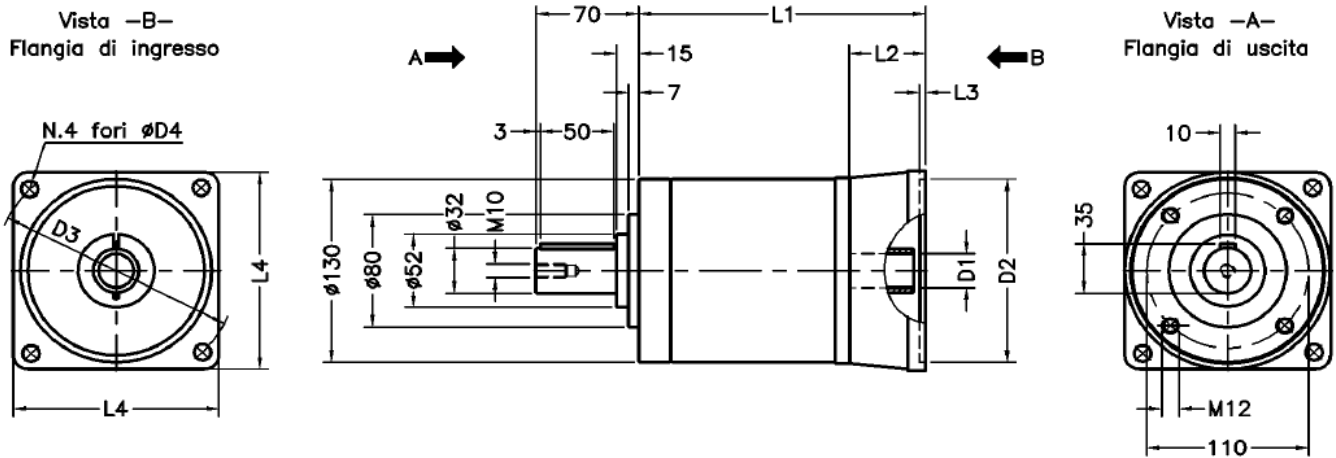
Flange Type	Flange Code	L3	L4	D2	D3	D4	D5	D1xL2 max	L1		
									1 Stage	2 Stages	3 Stages
MEC63 B14	F07	4	-	60	75	5.5	105	14x30	123.5	157	190.5
MEC71 B14	F08	4	-	70	85	6.5	105	14x30	123.5	157	190.5
MEC56 B5	F09	4	90	80	100	6.5	-	14x30	123.5	157	190.5
MEC56 B5 H		4	90	80	100	6.5	-	19x40	133.5	167	200.5
MEC63 B5	F10	4	110	95	115	8.5	-	14x30	123.5	157	190.5
MEC63 B5 H		4	110	95	115	8.5	-	19x40	133.5	167	200.5
NEMA 42B	F21	3.5	110	55.5	125.7	5.5	-	19x40	133.5	167	200.5
MEC71 B5	F11	4	120	110	130	8.5	-	24x50	123.5	157	190.5
MEC71 B5 H		4	120	110	130	8.5	-	19x40	133.5	167	200.5
S4000	F20	6	120	120	145	9	-	24x50	143.5	177	210.5
MEC90 B5	F13	4	140	130	165	11.5	-	19x40	133.5	167	200.5
MEC90 B5 H		4	140	130	165	11.5	-	24x50	143.5	177	210.5

### Technical Specifications

Stage Number	Ratios	Rated torque	Starting torque	Efficiency	Rated input speed	Max. input speed	Backlash output shaft	weight		
	i	Mn2 Nm	Ma2 Nm	$\eta$ %	n1 rpm	nm1 rpm	Arcmin	Kg		
1	3	80	120	97	3000	4000	$\leq 5$ $\leq 10$ $\leq 15$	6		
	4	105	350		3000	4000				
	5	120	330		3000	4000				
	6	190	250		3000	4000				
2	9	80	200	94	3000	4000		$\leq 5$ $\leq 10$ $\leq 15$	8	
	12	140	200		3000	4000				
	16	180	350		3000	4000				
	20	180	350		3000	4000				
	24	180	350		3000	4000				
	30	175	350		3000	4000				
3	36	150	250	91	3000	4000			$\leq 5$ $\leq 10$ $\leq 15$	10
	48	185	105		3000	4000				
	64	200	120		3000	4000				
	80	200	120		3000	4000				
	120	250	120		3000	4000				
	150	200	120		3000	4000				
	180	220	120		3000	4000				
	216	185	120		3000	4000				
400	180	250	3000	3500						

\*\*\*\*\* If you are not sure which model you should go with, please contact our technical sales for advice before placing your order.

# RE130 PLANETARY GEARBOX



**Input shaft dimensions**

D1	19	19.05	22	24	28	32	35			
L2	50	50	50	60	60	60	60			

**Gear Dimensions**

Flange Type	Flange Code	L3	L4	D2	D3	D4	D5	D1xL2 max	L1		
									1 Stage	2 Stages	3 Stages
MEC56 B5 H	F09	4	90	80	100	6.5	-	19x50	158	195	231
MEC63 B5 H	F10	4	110	95	115	8.5	-	24x50	158	195	231
MEC71 B5 H	F11	4	120	110	130	9	-	24x50	158	195	231
S4000A	F20	6	120	110	145	9	-	24x60	168	205	241
MEC90 B5	F13	4	140	130	165	11.5	-	24x50	158	195	231
MEC90 B5 H		4	140	130	165	11.5	-	32x60	168	205	241
S6000	F21	5	180	114.3	200	M12	-	35x80	188	225	261
MEC100 B5	F14	4	200	180	215	14.5	-	32x60	168	205	241

### Technical Specifications

Stage Number	Ratios	Rated torque	Starting torque	Efficiency	Rated input speed	Max. input speed	Backlash output shaft	weight		
	i	Mn2 Nm	Ma2 Nm	ηd %	n1 rpm	nm1 rpm	Arcmin	Kg		
1	3	200	200	97	3000	4000	≤5 ≤10 ≤15	11		
	4	300	400		3000	4000				
	5	220	300		3000	4000				
	6	150	200		3000	4000				
2	9	200	300	94	3000	4000		≤5 ≤10 ≤15	15	
	12	250	300		3000	4000				
	16	300	380		3000	4000				
	20	320	380		3000	4000				
	24	350	380		3000	4000				
	30	250	350		3000	4000				
3	36	150	200	91	3000	4000			≤5 ≤10 ≤15	19
	48	350	400		3000	4000				
	64	400	400		3000	4000				
	80	300	400		3000	4000				
	120	180	300		3000	4000				
	150	180	300		3000	4000				
	180	200	300		3000	4000				
216	200	300	3000	4000						

\*\*\*\*\* If you are not sure which model you should go with, please contact our technical sales for advice before placing your order.

Copyright © 2009 Motion Control Products Ltd. All rights reserved.  
All data subject to change without notice in advance