

GD23 Geared Linear Actuators

Features

- Aluminum inner and outer tubes
- Limit switch: built-in (factory preset)
- High efficiency ACME screw
- Optional potentiometer or optical sensor
- 5 different gear ratios for choice
- Compact construction
- All gears are powder metal
- Pull design
- Lubrication for life time



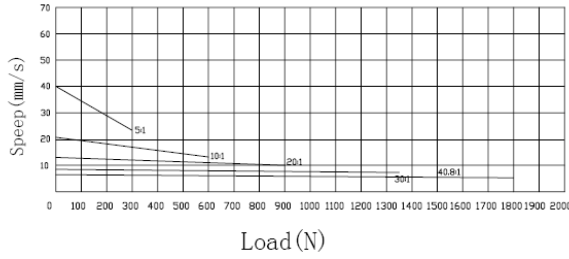
Technical Data

- Input power: 12 VDC / 24 VDC
- Duty cycle: 10%
- Gear ratio: 5:1 / 10:1 / 20:1 / 30:1 / 40:1
- Stroke length: 10mm ~ 300mm
- Operation temperature: -25°C ~ +65°C
- Protection class: up to IP65 (optional)

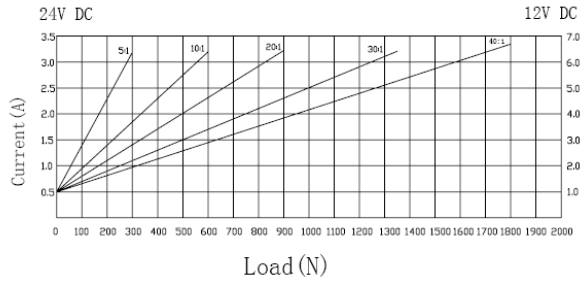
Relevant Parameters

Model		A	B	C	D	E
Gear Ratio		5:1	10:1	20:1	30:1	40:1
Max. Load (push only)		300N	600N	900N	1350N	2000N
Max. Speed (no load)		40mm/sec	21mm/sec	13mm/sec	8.5mm/sec	6.5mm/sec
Stroke Length		10~300mm	10~300mm	10~300mm	10~300mm	10~300mm
Max. Current	12VDC	6.50A	6.50A	6.50A	6.50A	6.50A
	24VDC	3.30A	3.30A	3.30A	3.30A	3.30A
Weight (Kg)		0.80~1.20	0.80~1.20	0.80~1.20	0.80~1.20	0.80~1.20

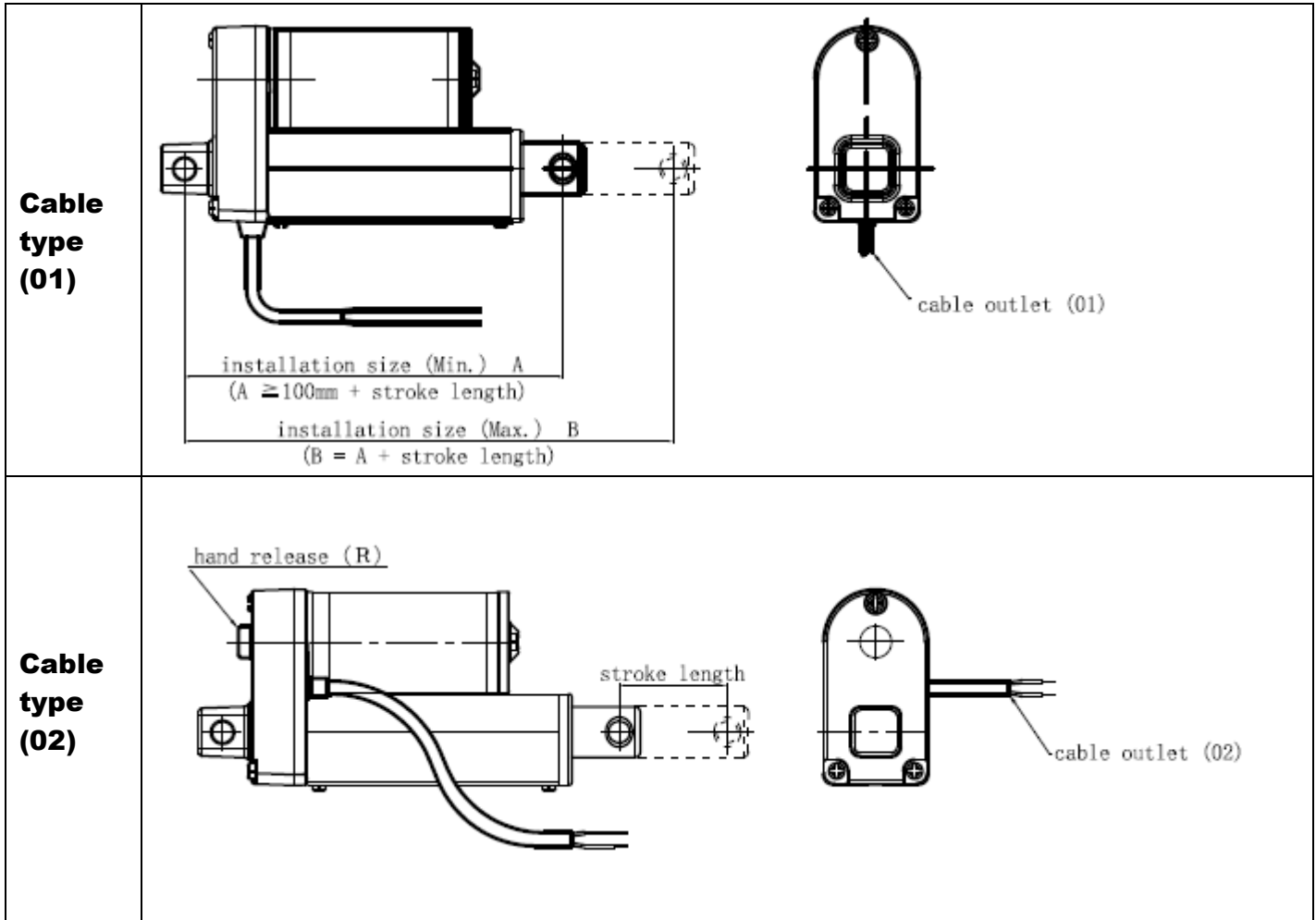
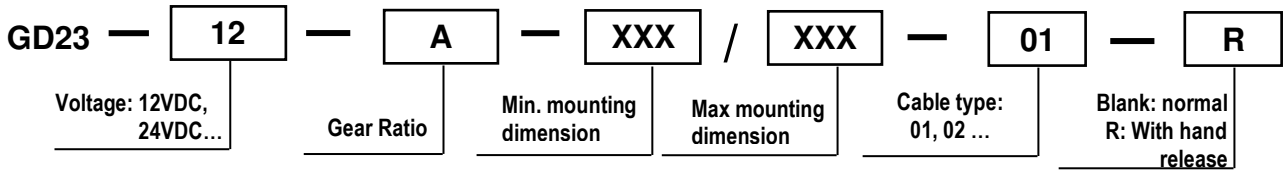
Speed vs Load



Current vs Load



Order Format



Copyright © 2014 Motion Control Products Ltd. All rights reserved. All data and contents subject to change without notice in advance

MOTION CONTROL PRODUCTS LTD. 11-15 Francis Ave. Bournemouth, Dorset, UK. BH11 8NX

Tel.: +44 (0)1202 599922

enquiries@motioncontrolproducts.com

Web: www.motioncontrolproducts.com