

Low Voltage DC Motors

Model ZYT60 - ZYT120 DC MOTORS

The ZYT Permanent Magnet Motor series offers power upto 1.1Kw with a range of voltage from 12V to 240V.

The most competitive DC geared motor on the market can be supplied with or without our ruggedised die-cast aluminium or composite material (high strength plastic) wormwheel gearboxes.

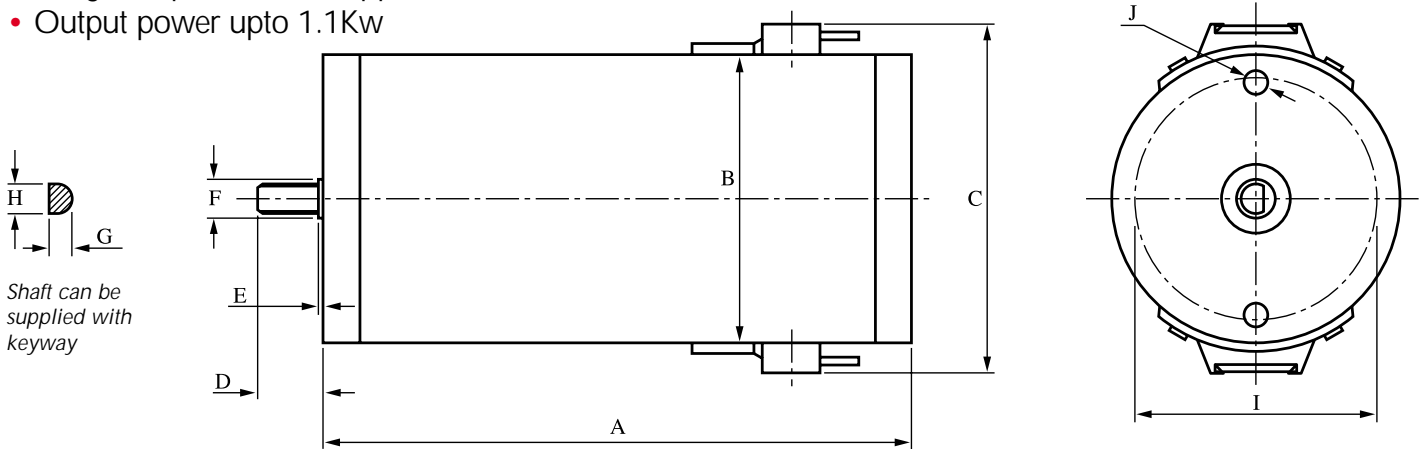
The new ZYT PM Motor range can be supplied with customised shafts to suit any application.

Applications include:

- Golf carts/Buggies/Go-carts
- Electric vehicles
- AGV's
- Motorised shopping trollies
- Mobility vehicles
- Winches
- Hoists

Options

- Voltage range 12V to 240V DC
- Range of speeds to suit application
- Output power upto 1.1Kw



	A	B	C	D	E	F	G	H	I	J
ZYT60	127	60	76	32	2	8	6	8	48	2-M5
ZYT63	-	63	76	32	2	8	6	8	48	2-M5
ZYT70	155	70	92	32	2	8	6	8	56	2-M6
ZYT73	-	73	92	32	2	8	6	8	56	2-M6
ZYT80	147	80	98	32	2.5	9	7	8	70	4-M6
ZYT90	-	90	108	32	2.5	9	7	9	80	4-M6
ZYT110	210	110	110	30	2.5	14	-	14	85	4-M6
ZYT120	250	120	120	30	3.0	-	-	14	92	4-M6

Torque Nm	Speed (rpm)	Current (A)	Power (Kw)
0.4	2500±10%	6.5	0.1
0.4	2500±10%	6.5	0.1
0.5	3200±10%	11.5	0.17
0.5	3200±10%	11.5	0.17
0.8	2800±10%	13.5	0.24
0.8	4700±10%	23	0.4
2.3	3000±10%	38	0.72
4.8	3000±10%	50	1.1

N.B. Motors supplied with IEC standard flanges B5, B14, etc.

Individual detailed drawings available on request

Model	Alternative Length (A)		
	/1	/2	/3
ZYT63	100	113	127
ZYT73	145	155	165
ZYT90	154	199	-

Options include:

- Customised shafts to suit any application
- Reversible Rotation
- Replaceable or Integral Brushes
- Class B or F Insulation
- High quality ball bearings
- Operating Temperature -20°C to +40°C
- Parking Brake 12V & 24V DC
- Sealed or Ventilated Housing
- Manual Released Brake Option
- Suitable for variable speed drives
- With Spade or Flying Leads and optional connectors

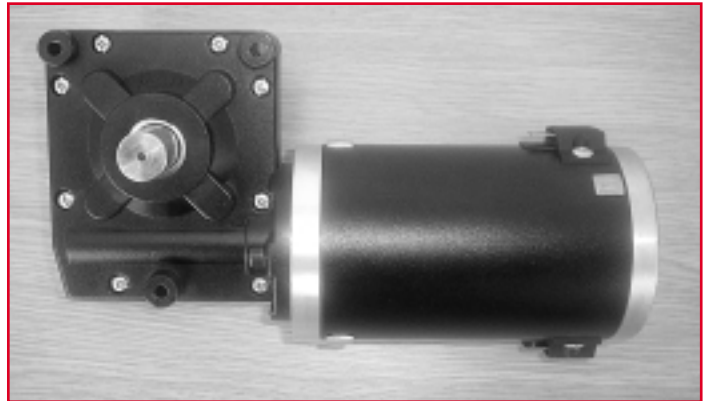
N.B. stall torque = 2.5 x continuous rated torque • All dimensions in millimetres • Drawings not to scale • MCP reserve the right to change specifications

MCP Series Wormwheel Gearboxes

The most competitive ruggedised wormwheel gearboxes on the market can be supplied with or without AC/DC motors.

A quality, high power to weight ratio, low noise and reliable gearbox is robustly constructed in either ruggedised die-cast aluminium or composite materials (high strength plastic) make MCP gearboxes the obvious first choice.

MCP 2



Ratios:

12:1, 25:1, 30:1, 50:1, 60:1
Other ratios available on request

Features and Options

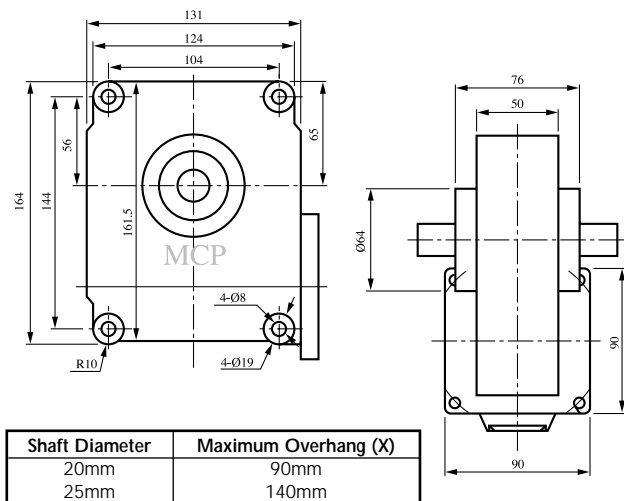
- Compatible with ZYT DC Series Motors
- Extensive Range of Ratios
- Customised shafts to suit any application including:-
 - Variable Diameters
 - Hollow shafts
 - Machined ends
- Delrin®, Phosphor Bronze and Steel Gears
- Available in ruggedised die-cast aluminium or composite materials (high strength plastic)
- Lubricated for life
- Designed for Low Noise operation

ZYT Motor/Gearbox Configurator									
Motor Dia. in mm	Motor Length in mm	Volt. DC	Gearbox	Ratio	Option One	Option Two	Option Three	Option Four	Option Five
See Separate Motor Chart for Specifications			MCP4		AD	DR	BK	EC	CS##
			MCP2		CM	BZ	MRB		
						ST			

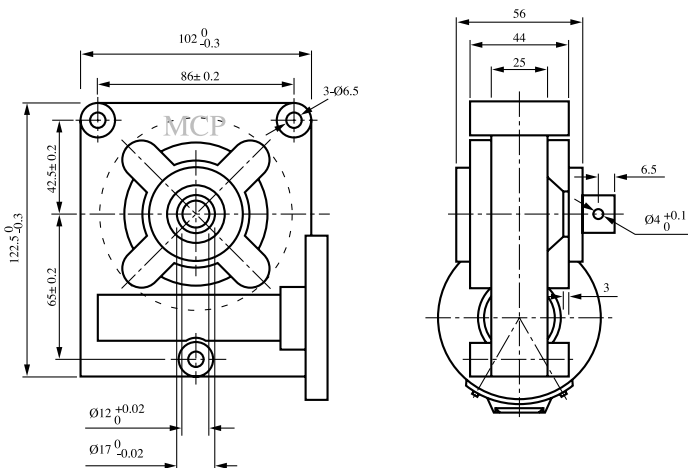
Example:

ZYT80 147 24 MCP4 25:1 AD DR MRB EC CS##

- Key:**
- AD = Die-cast Aluminium Housing
 - CM = Composite Material Housing (high strength plastic)
 - DR = Delrin® Gears
 - BZ = Bronze Gears
 - ST = Steel Gears
 - BK = Electric Brake
 - MRB = Electric Brake with Manual Release
 - EC = Rubber End Cover
 - CS = Custom Shaft followed by customer number



MCP 4



N.B. stall torque = 2.5 x continuous rated torque • All dimensions in millimetres • Drawings not to scale • MCP reserve the right to change specifications



11-15 FRANCIS AVENUE, WALLISDOWN,
BOURNEMOUTH BH11 8NX, ENGLAND
Tel: +44 (0) 1202 599922 Fax: +44 (0) 1202 599955
Website: www.motioncontrolproducts.com
E-mail: sales@motioncontrolproducts.com